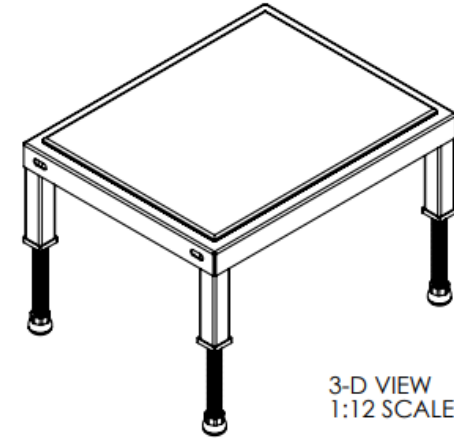
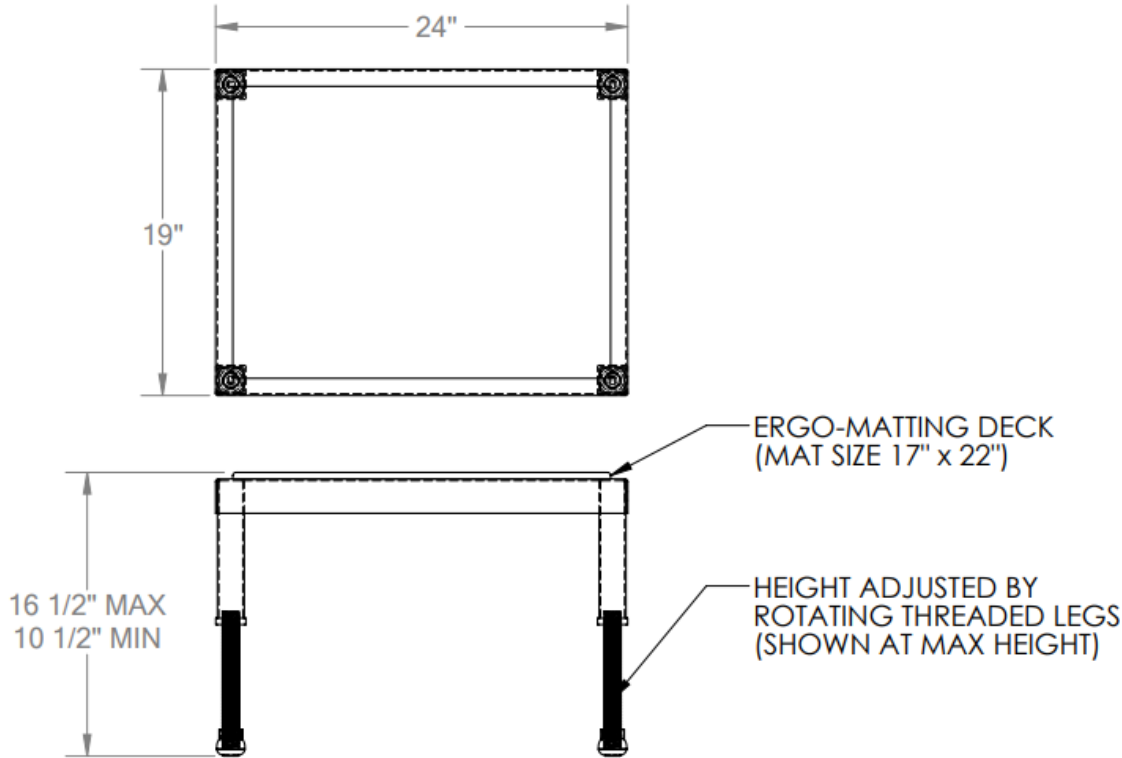


# ADJ WORK-MATE STAND - MODEL: AHT-H-1924

APPROX WEIGHT: 35.80 lbs.  
DOES NOT INCLUDE WEIGHT OF POWER OR PACKAGING!!!

\*\*\* ANY ADDITIONS, DELETIONS, OR OMISSIONS MUST BE CORRECTED ON THIS DRAWING AS THIS DRAWING WILL BE CONSIDERED ALL INCLUSIVE \*\*\*  
ALL GRAPHICS PROVIDED ARE FOR REFERENCE ONLY. IF CERTAIN DIMENSIONS ARE CRITICAL PLEASE VERIFY THOSE DIMENSIONS WITH YOUR SALESPERSON



3-D VIEW  
1:12 SCALE

DIMENSION TOLERANCE ± 1/4"

## STANDARD FEATURES

MODEL NUMBER : AHT-H-1924  
CAPACITY: 500 LBS.  
DECK WIDTH: 19"  
DECK LENGTH: 24"  
RAISED HEIGHT: 16 1/2"  
LOWERED HEIGHT: 10 1/2"  
ALL STEEL CONSTRUCTION  
(ASTM A-36 MIN.)  
WITH WELDING TO MEET AWS.  
ERGO MATting IS BLUE  
TOUGH BAKED IN POWDER  
COATED YELLOW FINISH

## SPECIAL FEATURES

NONE

APPROVAL

I, THE UNDERSIGNED, AGREE THAT THE PRODUCT AS REPRESENTED SATISFIES DESIGN AND DIMENSION REQUIREMENTS. I ALSO ACKNOWLEDGE MY DUTY TO CONFIRM PRODUCT AND INSTALLATION COMPLIANCE WITH ALL APPLICABLE FEDERAL, STATE AND LOCAL REGULATIONS AND STANDARDS.

**ANY MODIFIED UNITS ARE NON-RETURNABLE**

As drawn       As marked

Signed: \_\_\_\_\_ Date: \_\_\_\_\_

Printed Name: \_\_\_\_\_

LEAD TIME WILL START UPON RECEIPT OF SIGNED APPROVAL DRAWING

| FOR INTERNAL USE ONLY<br>PROJECT SIGN OFF |  |
|---|--|
| SALES                                     |  |
| ENG.                                      |  |
| FAB.                                      |  |
| POWER                                     |  |

|                     |          |            |
|---------------------|----------|------------|
| DISTRIBUTOR'S NAME: |          | P.O.#      |
|                     |          | X          |
|                     |          | W.O.#      |
|                     |          | X          |
| DRAWN BY:           | DATE:    | SALES:     |
| MTS                 | 12/27/13 | X          |
| REFERENCE:          | SCALE:   | FILE NAME: |
| X                   | 1:10     |            |
| QUOTED LEAD TIME:   | QUOTE #  |            |
| X                   |          | 14-007-205 |