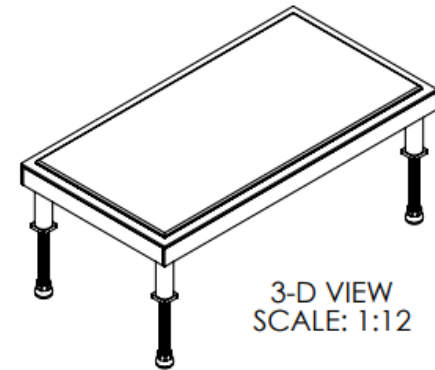
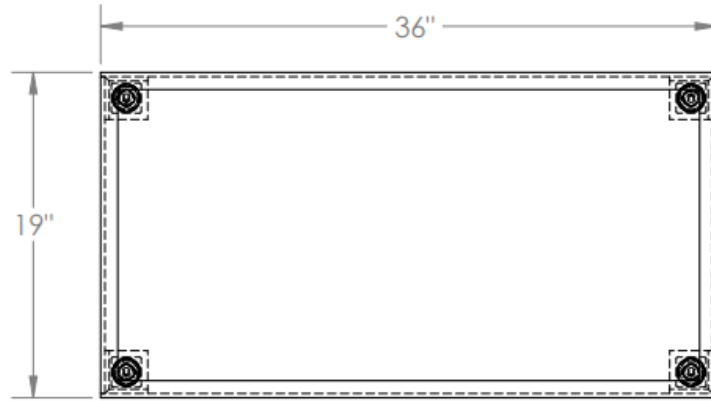


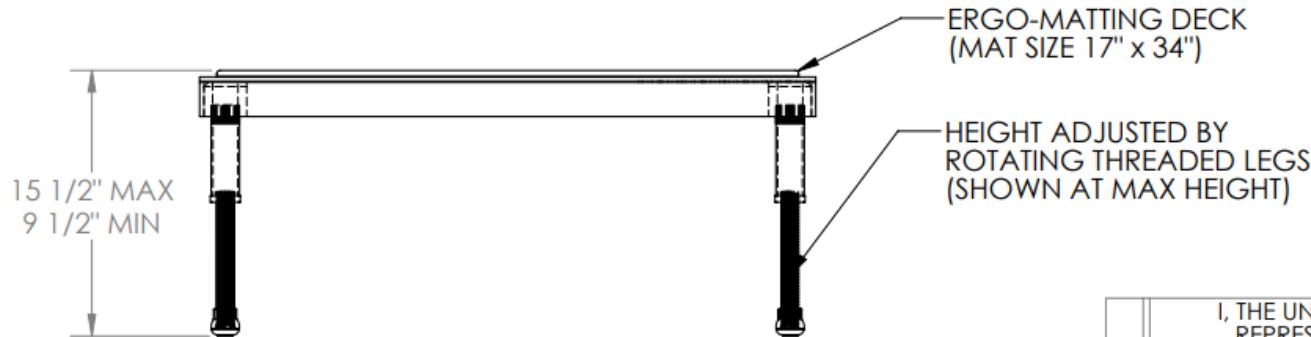
ADJUSTABLE WORK-MATE STAND, ALUMINUM - AHT-H-1936-A

APPROX WEIGHT: 45.04 lbs.
 DOES NOT INCLUDE WEIGHT OF POWER OR PACKAGING!!!

*** ANY ADDITIONS, DELETIONS, OR OMISSIONS MUST BE CORRECTED ON THIS DRAWING AS THIS DRAWING WILL BE CONSIDERED ALL INCLUSIVE ***
 ALL GRAPHICS PROVIDED ARE FOR REFERENCE ONLY. IF CERTAIN DIMENSIONS ARE CRITICAL PLEASE VERIFY THOSE DIMENSIONS WITH YOUR SALESPERSON



3-D VIEW
 SCALE: 1:12



15 1/2" MAX
 9 1/2" MIN

ERGO-MATTING DECK
 (MAT SIZE 17" x 34")

HEIGHT ADJUSTED BY
 ROTATING THREADED LEGS
 (SHOWN AT MAX HEIGHT)

STANDARD FEATURES

MODEL NUMBER : AHT-H-1936-A
 CAPACITY: 500 LBS.
 DECK WIDTH: 19"
 DECK LENGTH: 36"
 RAISED HEIGHT: 15 1/2"
 LOWERED HEIGHT: 9 1/2"
 ALUMINUM PLATFORM WITH POWDER
 COATED STEEL LEGS
 ERGO MATTING IS BLUE

SPECIAL FEATURES

NONE

DIMENSION TOLERANCE ± 1/4"

APPROVAL

I, THE UNDERSIGNED, AGREE THAT THE PRODUCT AS REPRESENTED SATISFIES DESIGN AND DIMENSION REQUIREMENTS. I ALSO ACKNOWLEDGE MY DUTY TO CONFIRM PRODUCT AND INSTALLATION COMPLIANCE WITH ALL APPLICABLE FEDERAL, STATE AND LOCAL REGULATIONS AND STANDARDS.

ANY MODIFIED UNITS ARE NON-RETURNABLE

As drawn As marked

Signed: _____ Date: _____

Printed Name: _____

LEAD TIME WILL START UPON RECEIPT OF SIGNED APPROVAL DRAWING

FOR INTERNAL USE ONLY PROJECT SIGN OFF	
SALES	
ENG.	
FAB.	
POWER	

DISTRIBUTOR'S NAME:		P.O.#
		X
		W.O.#
		X
DRAWN BY:	DATE:	SALES:
MTS	10/10/2014	X
REFERENCE:	SCALE:	FILE NAME:
X	1:10	
QUOTED LEAD TIME:	QUOTE #	14-007-275
X	X	