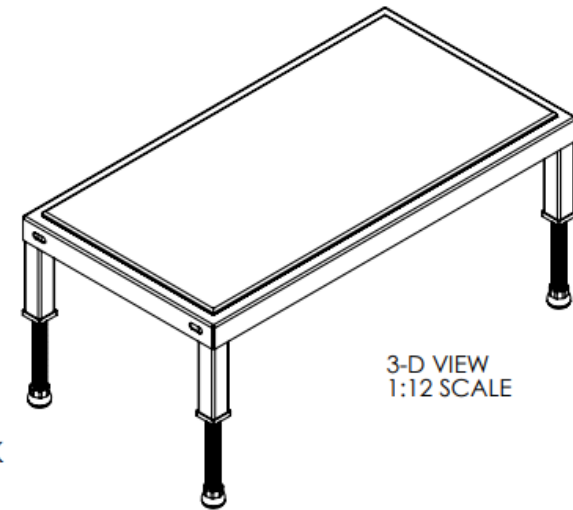
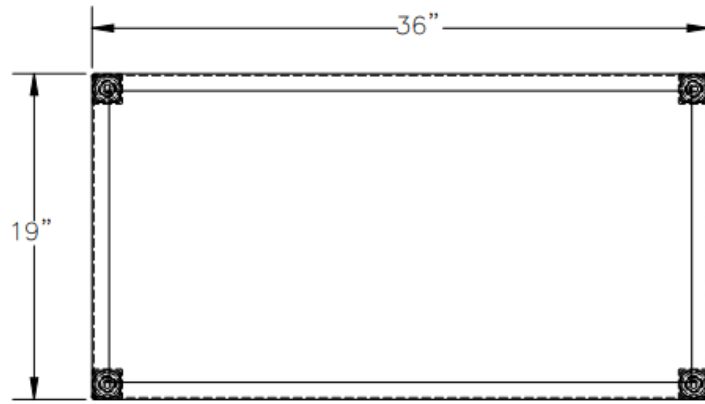


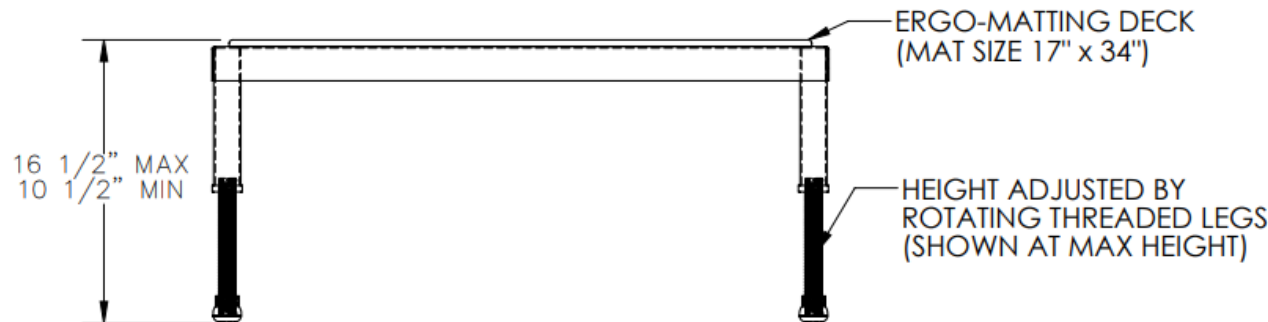
# ADJ WORK-MATE STAND - MODEL: AHT-H-1936-SS

APPROX WEIGHT: 47.02 lbs.  
DOES NOT INCLUDE WEIGHT OF POWER OR PACKAGING!!!

\*\*\* ANY ADDITIONS, DELETIONS, OR OMISSIONS MUST BE CORRECTED ON THIS DRAWING AS THIS DRAWING WILL BE CONSIDERED ALL INCLUSIVE \*\*\*  
ALL GRAPHICS PROVIDED ARE FOR REFERENCE ONLY. IF CERTAIN DIMENSIONS ARE CRITICAL PLEASE VERIFY THOSE DIMENSIONS WITH YOUR SALESPERSON



3-D VIEW  
1:12 SCALE



DIMENSION TOLERANCE ± 1/4"

**A P P R O V A L**

I, THE UNDERSIGNED, AGREE THAT THE PRODUCT AS REPRESENTED SATISFIES DESIGN AND DIMENSION REQUIREMENTS. I ALSO ACKNOWLEDGE MY DUTY TO CONFIRM PRODUCT AND INSTALLATION COMPLIANCE WITH ALL APPLICABLE FEDERAL, STATE AND LOCAL REGULATIONS AND STANDARDS.  
**ANY MODIFIED UNITS ARE NON-RETURNABLE**  
[ ] As drawn [ ] As marked

Signed: \_\_\_\_\_ Date: \_\_\_\_\_

Printed Name: \_\_\_\_\_

*LEAD TIME WILL START UPON RECEIPT OF SIGNED APPROVAL DRAWING*

## STANDARD FEATURES

- MODEL NUMBER : AHT-H-1936-SS
- CAPACITY: 500 LBS.
- DECK WIDTH: 19"
- DECK LENGTH: 36"
- RAISED HEIGHT: 16 1/2"
- LOWERED HEIGHT: 10 1/2"
- ALL STAINLESS STEEL CONSTRUCTION WITH WELDING TO MEET AWS.
- ERGO MATTING IS BLUE
- STAINLESS STEEL CONSTRUCTION WITH UNPOLISHED (MILL) FINISH

## SPECIAL FEATURES

NONE

FOR INTERNAL USE ONLY PROJECT SIGN OFF	
SALES	
ENG.	
FAB.	
POWER	

DISTRIBUTOR'S NAME:		P.O.#
		X
		W.O.#
		X
DRAWN BY:	DATE:	SALES:
MTS	12/27/13	X
REFERENCE:	SCALE:	FILE NAME:
X	1:10	
QUOTED LEAD TIME:	QUOTE #	
X	v	14-007-242