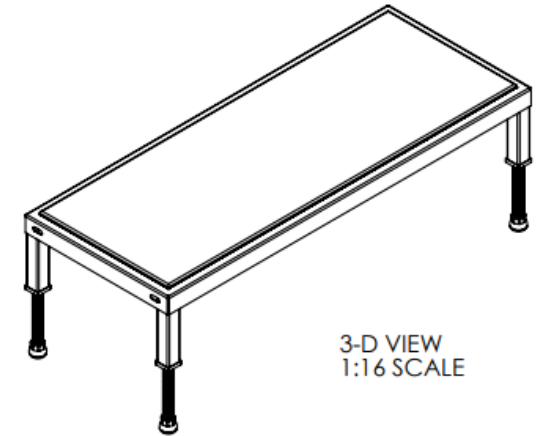
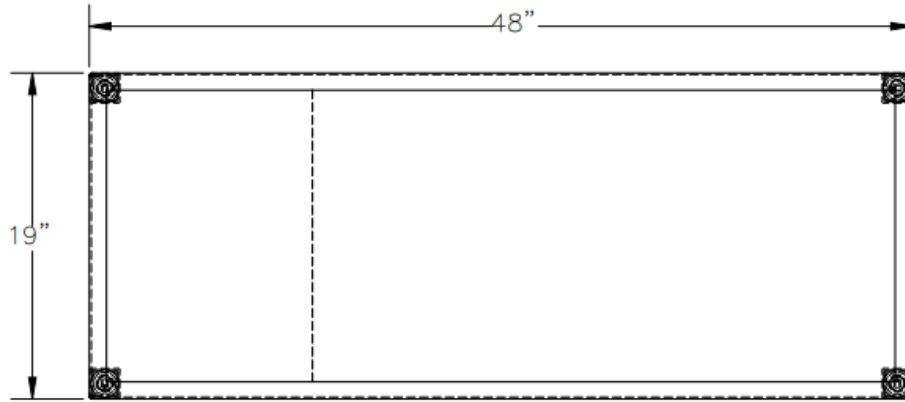


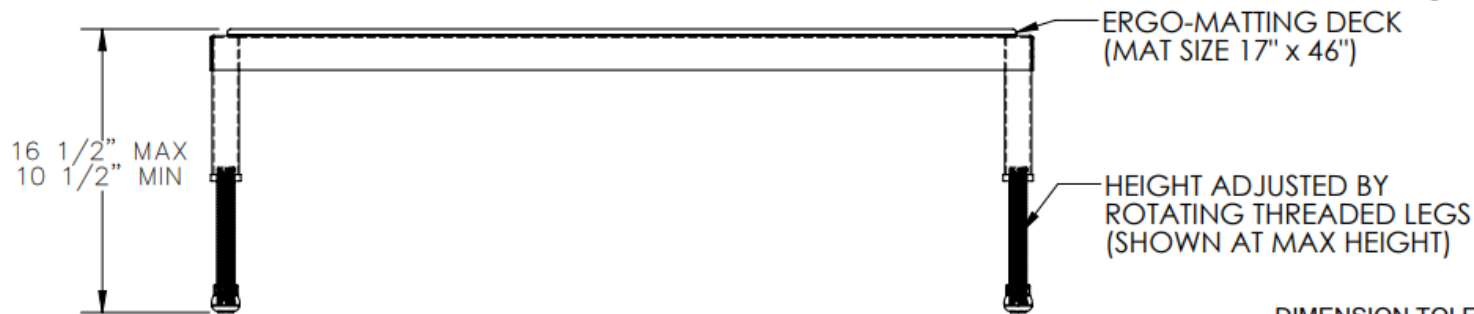
ADJ WORK-MATE STAND - MODEL: AHT-H-1948-SS

APPROX WEIGHT: 57.45 lbs.
DOES NOT INCLUDE WEIGHT OF POWER OR PACKAGING!!!

*** ANY ADDITIONS, DELETIONS, OR OMISSIONS MUST BE CORRECTED ON THIS DRAWING AS THIS DRAWING WILL BE CONSIDERED ALL INCLUSIVE ***
ALL GRAPHICS PROVIDED ARE FOR REFERENCE ONLY. IF CERTAIN DIMENSIONS ARE CRITICAL PLEASE VERIFY THOSE DIMENSIONS WITH YOUR SALESPERSON



3-D VIEW
1:16 SCALE



DIMENSION TOLERANCE ± 1/4"

STANDARD FEATURES

MODEL NUMBER : AHT-H-1948-SS
CAPACITY: 500 LBS.
DECK WIDTH: 19"
DECK LENGTH: 48"
RAISED HEIGHT: 16 1/2"
LOWERED HEIGHT: 10 1/2"
ALL STAINLESS STEEL CONSTRUCTION
WITH WELDING TO MEET AWS.
ERGO MATTING IS BLUE
STAINLESS STEEL CONSTRUCTION WITH
UNPOLISHED (MILL) FINISH

SPECIAL FEATURES

NONE

A P P R O V A L

I, THE UNDERSIGNED, AGREE THAT THE PRODUCT AS REPRESENTED SATISFIES DESIGN AND DIMENSION REQUIREMENTS. I ALSO ACKNOWLEDGE MY DUTY TO CONFIRM PRODUCT AND INSTALLATION COMPLIANCE WITH ALL APPLICABLE FEDERAL, STATE AND LOCAL REGULATIONS AND STANDARDS.
ANY MODIFIED UNITS ARE NON-RETURNABLE
[] As drawn [] As marked

Signed: _____ Date: _____

Printed Name: _____

LEAD TIME WILL START UPON RECEIPT OF SIGNED APPROVAL DRAWING

FOR INTERNAL USE ONLY PROJECT SIGN OFF	
SALES	
ENG.	
FAB.	
POWER	

DISTRIBUTOR'S NAME:		P.O.#
		X
DRAWN BY: MTS		W.O.#
DATE: 12/27/13		X
REFERENCE: X	SCALE: 1:10	SALES: X
QUOTED LEAD TIME: X	QUOTE #	FILE NAME:
		14-007-243