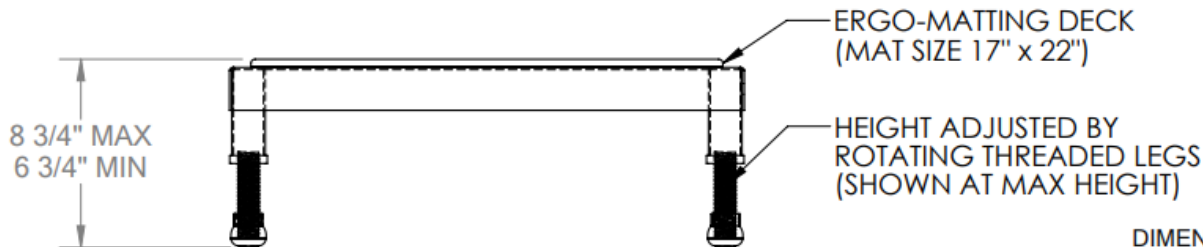
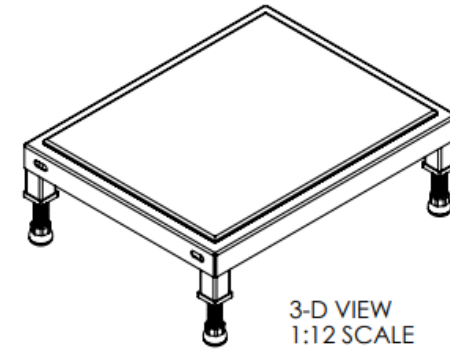
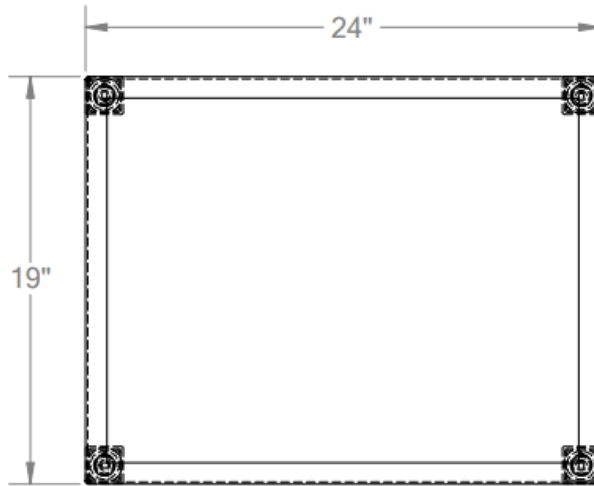


# ADJ WORK-MATE STAND - MODEL: AHT-L-1924

APPROX WEIGHT: 30.34 lbs.  
DOES NOT INCLUDE WEIGHT OF POWER OR PACKAGING!!!

\*\*\* ANY ADDITIONS, DELETIONS, OR OMISSIONS MUST BE CORRECTED ON THIS DRAWING AS THIS DRAWING WILL BE CONSIDERED ALL INCLUSIVE \*\*\*  
ALL GRAPHICS PROVIDED ARE FOR REFERENCE ONLY. IF CERTAIN DIMENSIONS ARE CRITICAL PLEASE VERIFY THOSE DIMENSIONS WITH YOUR SALESPERSON



DIMENSION TOLERANCE  $\pm 1/4"$

## STANDARD FEATURES

MODEL NUMBER : AHT-L-1924  
CAPACITY: 500 LBS.  
DECK WIDTH: 19"  
DECK LENGTH: 24"  
RAISED HEIGHT: 8 3/4"  
LOWERED HEIGHT: 6 3/4"  
ALL STEEL CONSTRUCTION  
(ASTM A-36 MIN.)  
WITH WELDING TO MEET AWS.  
ERGO MATTING IS BLUE  
TOUGH BAKED IN POWDER  
COATED YELLOW FINISH

## SPECIAL FEATURES

NONE

APPROVAL

I, THE UNDERSIGNED, AGREE THAT THE PRODUCT AS REPRESENTED SATISFIES DESIGN AND DIMENSION REQUIREMENTS. I ALSO ACKNOWLEDGE MY DUTY TO CONFIRM PRODUCT AND INSTALLATION COMPLIANCE WITH ALL APPLICABLE FEDERAL, STATE AND LOCAL REGULATIONS AND STANDARDS.

**ANY MODIFIED UNITS ARE NON-RETURNABLE**

[ ] As drawn [ ] As marked

Signed: \_\_\_\_\_ Date: \_\_\_\_\_

Printed Name: \_\_\_\_\_

LEAD TIME WILL START UPON RECEIPT OF SIGNED APPROVAL DRAWING

FOR INTERNAL USE ONLY PROJECT SIGN OFF	
SALES	
ENG.	
FAB.	
POWER	

DISTRIBUTOR'S NAME:		P.O.#	X
		W.O.#	X
DRAWN BY:	MTS	DATE:	12/27/13
REFERENCE:	X	SCALE:	1:8
QUOTED LEAD TIME:	X	QUOTE #	
			FILE NAME:
			14-007-196