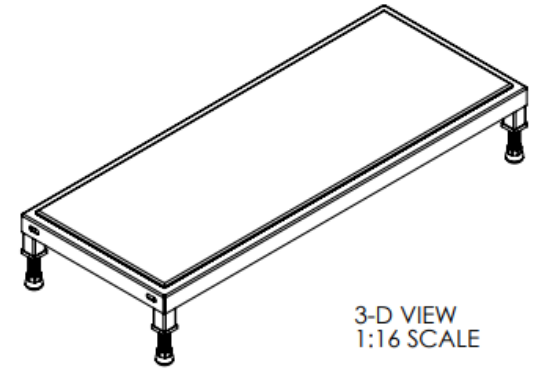
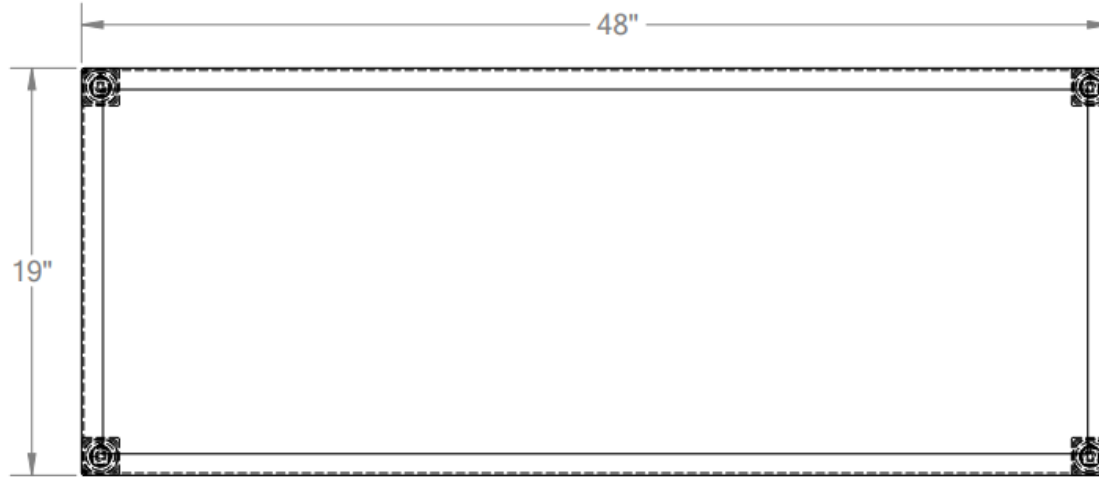


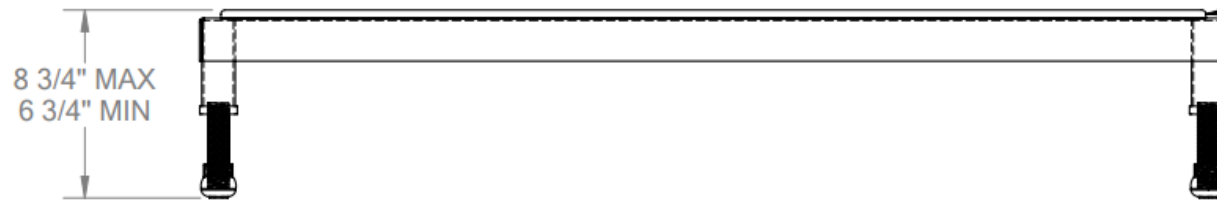
# ADJ WORK-MATE STAND - MODEL: AHT-L-1948

APPROX WEIGHT: 52.54 lbs.  
DOES NOT INCLUDE WEIGHT OF POWER OR PACKAGING!!!

\*\*\* ANY ADDITIONS, DELETIONS, OR OMISSIONS MUST BE CORRECTED ON THIS DRAWING AS THIS DRAWING WILL BE CONSIDERED ALL INCLUSIVE \*\*\*  
ALL GRAPHICS PROVIDED ARE FOR REFERENCE ONLY. IF CERTAIN DIMENSIONS ARE CRITICAL PLEASE VERIFY THOSE DIMENSIONS WITH YOUR SALESPERSON



3-D VIEW  
1:16 SCALE



ERGO-MATting DECK  
(MAT SIZE 17" x 46")

HEIGHT ADJUSTED BY  
ROTATING THREADED LEGS  
(SHOWN AT MAX HEIGHT)

DIMENSION TOLERANCE ± 1/4"

## STANDARD FEATURES

MODEL NUMBER : AHT-L-1948  
CAPACITY: 500 LBS.  
DECK WIDTH: 19"  
DECK LENGTH: 48"  
RAISED HEIGHT: 8 3/4"  
LOWERED HEIGHT: 6 3/4"  
ALL STEEL CONSTRUCTION  
(ASTM A-36 MIN.)  
WITH WELDING TO MEET AWS.  
ERGO MATting IS BLUE  
TOUGH BAKED IN POWDER  
COATED YELLOW FINISH

## SPECIAL FEATURES

NONE

APPROVAL

I, THE UNDERSIGNED, AGREE THAT THE PRODUCT AS REPRESENTED SATISFIES DESIGN AND DIMENSION REQUIREMENTS. I ALSO ACKNOWLEDGE MY DUTY TO CONFIRM PRODUCT AND INSTALLATION COMPLIANCE WITH ALL APPLICABLE FEDERAL, STATE AND LOCAL REGULATIONS AND STANDARDS.  
**ANY MODIFIED UNITS ARE NON-RETURNABLE**  
[ ] As drawn [ ] As marked

Signed: \_\_\_\_\_ Date: \_\_\_\_\_

Printed Name: \_\_\_\_\_

LEAD TIME WILL START UPON RECEIPT OF SIGNED APPROVAL DRAWING

FOR INTERNAL USE ONLY PROJECT SIGN OFF	
SALES	
ENG.	
FAB.	
POWER	

DISTRIBUTOR'S NAME:		P.O.#
		X
		W.O.#
		X
DRAWN BY:	DATE:	SALES:
MTS	12/27/13	X
REFERENCE:	SCALE:	FILE NAME:
X	1:8	
QUOTED LEAD TIME:	QUOTE #	
X	v	14-007-198