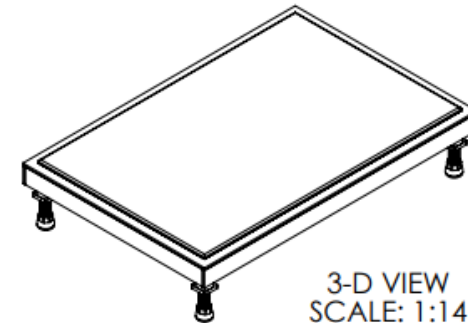
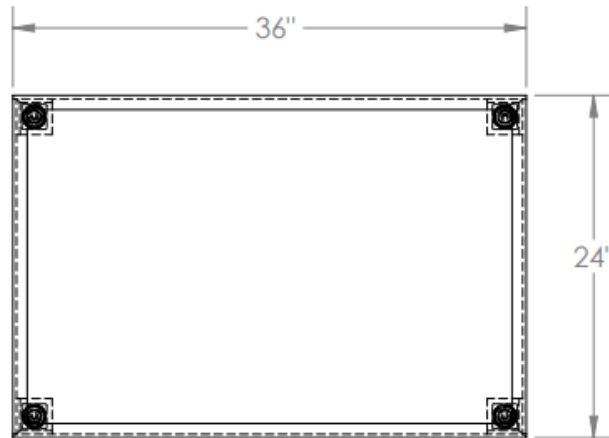


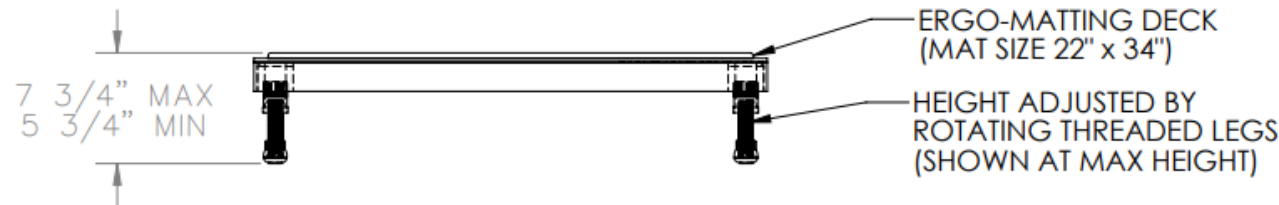
ADJUSTABLE WORK-MATE STAND, ALUMINUM - AHT-L-2436-A

APPROX WEIGHT: 47.06 lbs.
DOES NOT INCLUDE WEIGHT OF POWER OR PACKAGING!!

*** ANY ADDITIONS, DELETIONS, OR OMISSIONS MUST BE CORRECTED ON THIS DRAWING AS THIS DRAWING WILL BE CONSIDERED ALL INCLUSIVE ***
ALL GRAPHICS PROVIDED ARE FOR REFERENCE ONLY. IF CERTAIN DIMENSIONS ARE CRITICAL PLEASE VERIFY THOSE DIMENSIONS WITH YOUR SALESPERSON



3-D VIEW
SCALE: 1:14



DIMENSION TOLERANCE $\pm 1/4"$

STANDARD FEATURES

MODEL NUMBER : AHT-L-2436-A
CAPACITY: 500 LBS.
DECK WIDTH: 24"
DECK LENGTH: 36"
RAISED HEIGHT: 7 3/4"
LOWERED HEIGHT: 5 3/4"
ALUMINUM PLATFORM WITH POWDER
COATED STEEL LEGS
ERGO MATTING IS BLUE

SPECIAL FEATURES

NONE

APPROVAL

I, THE UNDERSIGNED, AGREE THAT THE PRODUCT AS REPRESENTED SATISFIES DESIGN AND DIMENSION REQUIREMENTS. I ALSO ACKNOWLEDGE MY DUTY TO CONFIRM PRODUCT AND INSTALLATION COMPLIANCE WITH ALL APPLICABLE FEDERAL, STATE AND LOCAL REGULATIONS AND STANDARDS.

ANY MODIFIED UNITS ARE NON-RETURNABLE

As drawn As marked

Signed: _____ Date: _____

Printed Name: _____

LEAD TIME WILL START UPON RECEIPT OF SIGNED APPROVAL DRAWING

FOR INTERNAL USE ONLY
PROJECT SIGN OFF

SALES	
ENG.	
FAB.	
POWER	

DISTRIBUTOR'S NAME:		P.O.#
		X
		W.O.#
		X
DRAWN BY:	DATE:	SALES:
MTS	10/10/14	X
REFERENCE:	SCALE:	FILE NAME:
X	1:12	
QUOTED LEAD TIME:	QUOTE #	14-007-282
X	X	