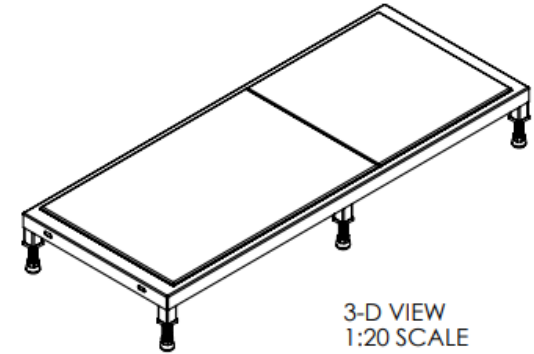
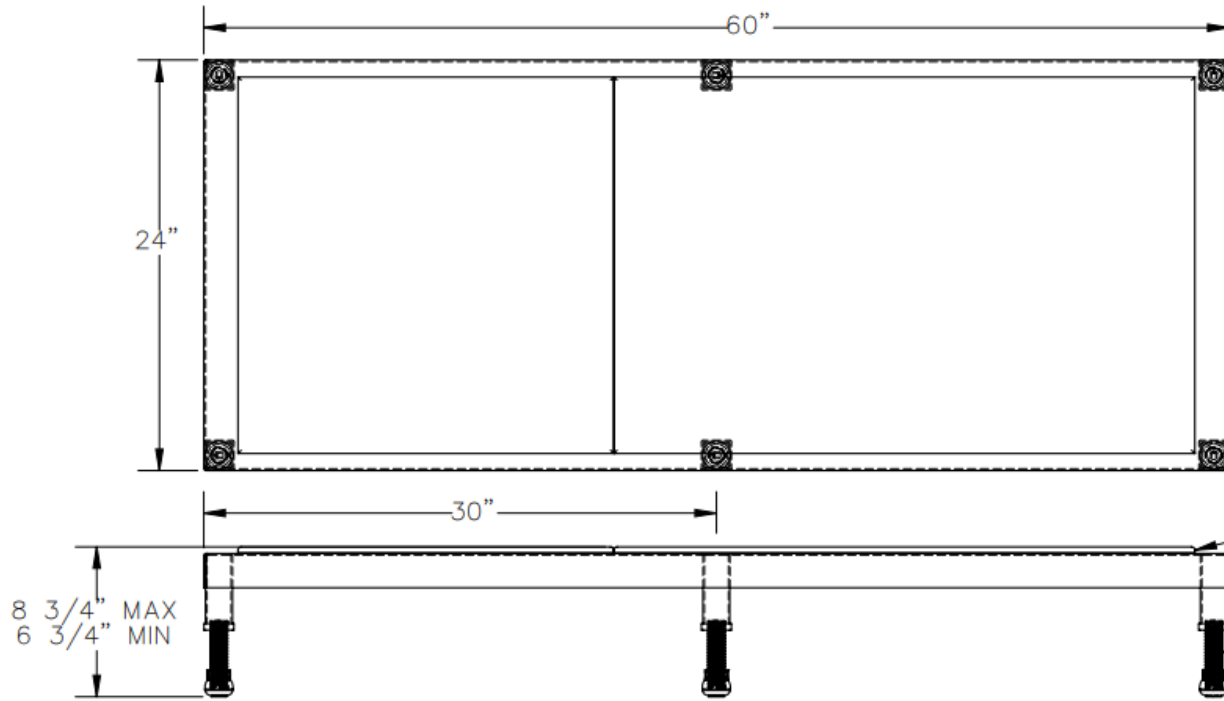


# ADJ WORK-MATE STAND - MODEL: AHT-L-2460-SS

APPROX WEIGHT: 80.38 lbs.  
DOES NOT INCLUDE WEIGHT OF POWER OR PACKAGING!!!

\*\*\* ANY ADDITIONS, DELETIONS, OR OMISSIONS MUST BE CORRECTED ON THIS DRAWING AS THIS DRAWING WILL BE CONSIDERED ALL INCLUSIVE \*\*\*  
ALL GRAPHICS PROVIDED ARE FOR REFERENCE ONLY. IF CERTAIN DIMENSIONS ARE CRITICAL PLEASE VERIFY THOSE DIMENSIONS WITH YOUR SALESPERSON



ERGO-MATTING DECK  
(MAT SIZE 22" x 56")

HEIGHT ADJUSTED BY  
ROTATING THREADED LEGS  
(SHOWN AT MAX HEIGHT)

DIMENSION TOLERANCE ± 1/4"

## STANDARD FEATURES

MODEL NUMBER : AHT-L-2460-SS  
CAPACITY: 500 LBS.  
DECK WIDTH: 24"  
DECK LENGTH: 60"  
RAISED HEIGHT: 8 3/4"  
LOWERED HEIGHT: 6 3/4"  
ALL STAINLESS STEEL CONSTRUCTION  
WITH WELDING TO MEET AWS.  
ERGO MATTING IS BLUE  
STAINLESS STEEL CONSTRUCTION WITH  
UNPOLISHED (MILL) FINISH

## SPECIAL FEATURES

NONE

APPROVAL

I, THE UNDERSIGNED, AGREE THAT THE PRODUCT AS REPRESENTED SATISFIES DESIGN AND DIMENSION REQUIREMENTS. I ALSO ACKNOWLEDGE MY DUTY TO CONFIRM PRODUCT AND INSTALLATION COMPLIANCE WITH ALL APPLICABLE FEDERAL, STATE AND LOCAL REGULATIONS AND STANDARDS.

**ANY MODIFIED UNITS ARE NON-RETURNABLE**

[ ] As drawn [ ] As marked

Signed: \_\_\_\_\_ Date: \_\_\_\_\_

Printed Name: \_\_\_\_\_

LEAD TIME WILL START UPON RECEIPT OF SIGNED APPROVAL DRAWING

FOR INTERNAL USE ONLY PROJECT SIGN OFF	
SALES	
ENG.	
FAB.	
POWER	

DISTRIBUTOR'S NAME:		P.O.#
		X
		W.O.#
		X
DRAWN BY:	DATE:	SALES:
MTS	12/27/13	X
REFERENCE: X	SCALE: 1:10	FILE NAME:
QUOTED LEAD TIME: X	QUOTE #	14-007-238
	X	