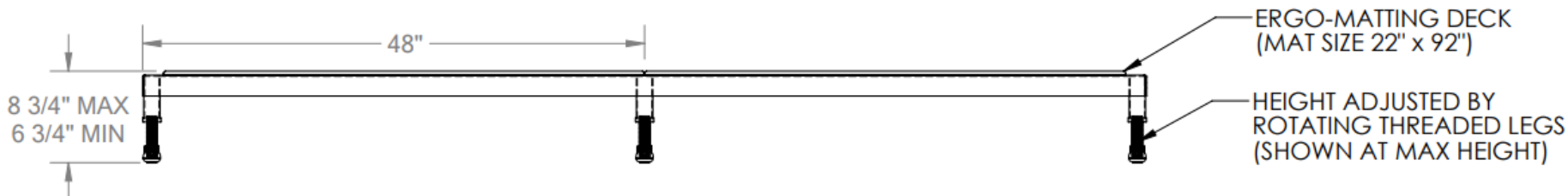
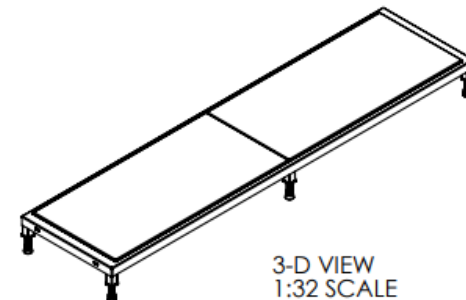
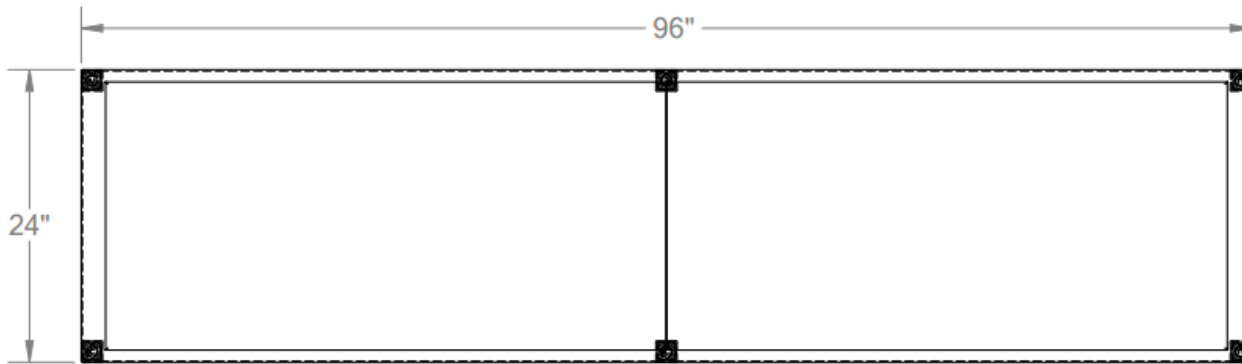


# ADJ WORK-MATE STAND - MODEL: AHT-L-2496

APPROX WEIGHT: 121.41 lbs.  
 DOES NOT INCLUDE WEIGHT OF POWER OR PACKAGING!!!

\*\*\* ANY ADDITIONS, DELETIONS, OR OMISSIONS MUST BE CORRECTED ON THIS DRAWING AS THIS DRAWING WILL BE CONSIDERED ALL INCLUSIVE \*\*\*  
 ALL GRAPHICS PROVIDED ARE FOR REFERENCE ONLY. IF CERTAIN DIMENSIONS ARE CRITICAL PLEASE VERIFY THOSE DIMENSIONS WITH YOUR SALESPERSON



ERGO-MATting DECK  
(MAT SIZE 22" x 92")

HEIGHT ADJUSTED BY  
ROTATING THREADED LEGS  
(SHOWN AT MAX HEIGHT)

DIMENSION TOLERANCE  $\pm 1/4"$

## STANDARD FEATURES

MODEL NUMBER : AHT-L-2496  
 CAPACITY: 500 LBS.  
 DECK WIDTH: 24"  
 DECK LENGTH: 96"  
 RAISED HEIGHT: 8 3/4"  
 LOWERED HEIGHT: 6 3/4"  
 ALL STEEL CONSTRUCTION  
 (ASTM A-36 MIN.)  
 WITH WELDING TO MEET AWS.  
 ERGO MATting IS BLUE  
 TOUGH BAKED IN POWDER  
 COATED YELLOW FINISH

## SPECIAL FEATURES

NONE

APPROVAL

I, THE UNDERSIGNED, AGREE THAT THE PRODUCT AS REPRESENTED SATISFIES DESIGN AND DIMENSION REQUIREMENTS. I ALSO ACKNOWLEDGE MY DUTY TO CONFIRM PRODUCT AND INSTALLATION COMPLIANCE WITH ALL APPLICABLE FEDERAL, STATE AND LOCAL REGULATIONS AND STANDARDS.

**ANY MODIFIED UNITS ARE NON-RETURNABLE**

As drawn       As marked

Signed: \_\_\_\_\_ Date: \_\_\_\_\_

Printed Name: \_\_\_\_\_

LEAD TIME WILL START UPON RECEIPT OF SIGNED APPROVAL DRAWING

FOR INTERNAL USE ONLY PROJECT SIGN OFF	
SALES	
ENG.	
FAB.	
POWER	

DISTRIBUTOR'S NAME:		P.O.#	X
DRAWN BY: MTS		W.O.#	X
DATE: 12/27/13		SALES:	X
REFERENCE: X	SCALE: 1:14	FILE NAME:	
QUOTED LEAD TIME: X	QUOTE #		14-007-204
	X		