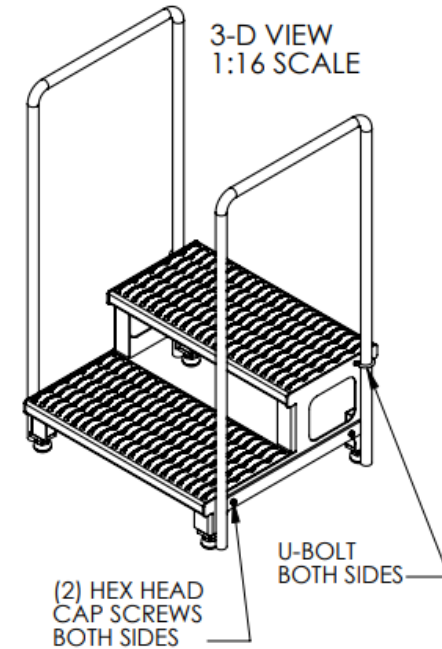
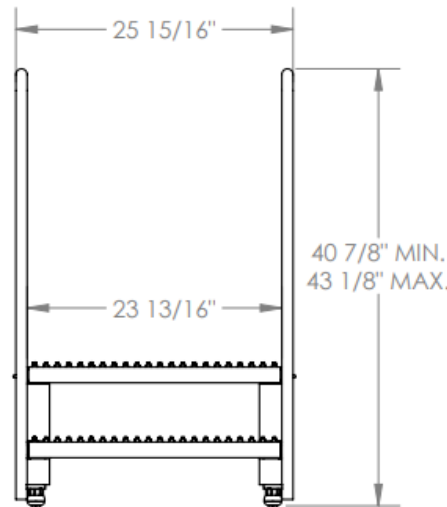
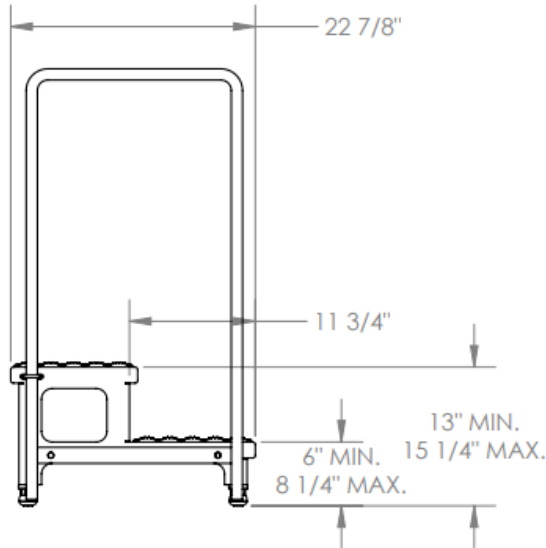


ADJ. HEIGHT STEP STAND W/HANDRAIL - ASP-24-HR

APPROX WEIGHT: 67.51 lbs.
DOES NOT INCLUDE WEIGHT OF POWER OR PACKAGING!!!

*** ANY ADDITIONS, DELETIONS, OR OMISSIONS MUST BE CORRECTED ON THIS DRAWING AS THIS DRAWING WILL BE CONSIDERED ALL INCLUSIVE ***
ALL GRAPHICS PROVIDED ARE FOR REFERENCE ONLY. IF CERTAIN DIMENSIONS ARE CRITICAL PLEASE VERIFY THOSE DIMENSIONS WITH YOUR SALESPERSON



STANDARD FEATURES

MODEL NUMBER IS ASP-24-HR
CAPACITY: 500 LBS
OVERALL WIDTH: 25 15/16"
USABLE WIDTH: 23 13/16"
OVERALL LENGTH IS: 22 7/8"
OVERALL HEIGHT: 43 1/8" MAX
BOTTOM STEP HEIGHT: MIN. 6", MAX. 8 1/4"
TOP STEP HEIGHT: MIN. 13", MAX. 15 1/4"
STEPS: SERRATED STEEL 11 3/4" DEEP
LEGS:
-ADJUSTABLE
-ANTI-SLIP TIPS
TOUGH BAKED IN POWDER
COATED YELLOW FINISH

SPECIAL FEATURES

NONE

DIMENSION TOLERANCE ± 1/4"

A P P R O V A L

I, THE UNDERSIGNED, AGREE THAT THE PRODUCT AS REPRESENTED SATISFIES DESIGN AND DIMENSION REQUIREMENTS. I ALSO ACKNOWLEDGE MY DUTY TO CONFIRM PRODUCT AND INSTALLATION COMPLIANCE WITH ALL APPLICABLE FEDERAL, STATE AND LOCAL REGULATIONS AND STANDARDS.

ANY MODIFIED UNITS ARE NON-RETURNABLE

[] As drawn [] As marked

Signed: _____ Date: _____

Printed Name: _____

LEAD TIME WILL START UPON RECEIPT OF SIGNED APPROVAL DRAWING

FOR INTERNAL USE ONLY PROJECT SIGN OFF		DISTRIBUTOR'S NAME:		P.O.#
SALES				X
ENG.		DRAWN BY: MTS	DATE: 08/03/13	W.O.#
FAB.		REFERENCE: X	SCALE: 1:16	X
POWER		QUOTED LEAD TIME: X	QUOTE # X	FILE NAME:
				14-007-192