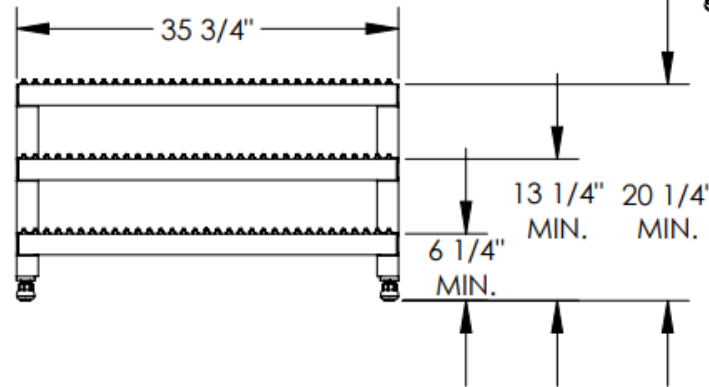
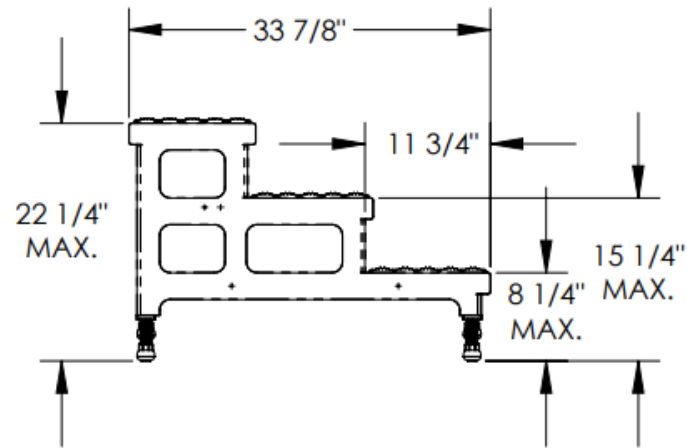


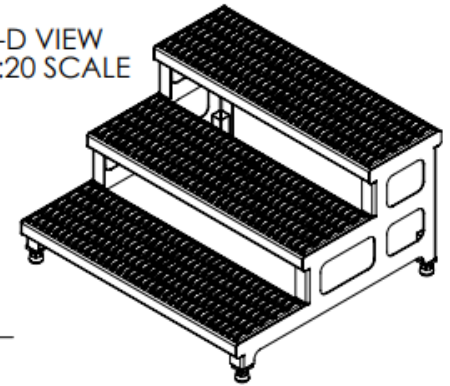
# ADJUSTABLE STEP-MATE STANDS - ASP-36-3-SS

APPROX WEIGHT: 85.64 lbs.  
DOES NOT INCLUDE WEIGHT OF POWER OR PACKAGING!!!

\*\*\* ANY ADDITIONS, DELETIONS, OR OMISSIONS MUST BE CORRECTED ON THIS DRAWING AS THIS DRAWING WILL BE CONSIDERED ALL INCLUSIVE \*\*\*  
ALL GRAPHICS PROVIDED ARE FOR REFERENCE ONLY. IF CERTAIN DIMENSIONS ARE CRITICAL PLEASE VERIFY THOSE DIMENSIONS WITH YOUR SALESPERSON  
ALL GRAPHICS PROVIDED ARE FOR REFERENCE ONLY. IF CERTAIN DIMENSIONS ARE CRITICAL PLEASE VERIFY THOSE DIMENSIONS WITH YOUR SALESPERSON



3-D VIEW  
1:20 SCALE



## STANDARD FEATURES

- MODEL NUMBER IS ASP-36-3-SS
- CAPACITY: 500 LBS
- OVERALL WIDTH: 35 3/4"
- OVERALL LENGTH: 33 7/8"
- BOTTOM STEP HEIGHT: MIN. 6 1/4", MAX. 8 1/4"
- MIDDLE STEP HEIGHT: MIN. 13 1/4", MAX. 15 1/4"
- TOP STEP HEIGHT: MIN. 20 1/4", MAX. 22 1/4"
- STEPS:
  - SERRATED STAINLESS STEEL 11 3/4" DEEP
- LEGS:
  - ADJUSTABLE
  - ANTI-SLIP TIPS
- STAINLESS STEEL CONSTRUCTION WITH UNPOLISHED (MILL) FINISH

## SPECIAL FEATURES

NONE

## DIMENSION TOLERANCE ± 1/4"

APPROVAL

I, THE UNDERSIGNED, AGREE THAT THE PRODUCT AS REPRESENTED SATISFIES DESIGN AND DIMENSION REQUIREMENTS. I ALSO ACKNOWLEDGE MY DUTY TO CONFIRM PRODUCT AND INSTALLATION COMPLIANCE WITH ALL APPLICABLE FEDERAL, STATE AND LOCAL REGULATIONS AND STANDARDS.

**ANY MODIFIED UNITS ARE NON-RETURNABLE**

As drawn       As marked

Signed: \_\_\_\_\_ Date: \_\_\_\_\_

Printed Name: \_\_\_\_\_

LEAD TIME WILL START UPON RECEIPT OF SIGNED APPROVAL DRAWING

FOR INTERNAL USE ONLY PROJECT SIGN OFF		DISTRIBUTOR'S NAME:		P.O.#
SALES				X
ENG.		DRAWN BY: SJA	DATE: 12/12/14	W.O.#
FAB.		REFERENCE: X	SCALE: 1:16	X
POWER		QUOTED LEAD TIME: X	QUOTE # X	FILE NAME:
				14-007-298

...