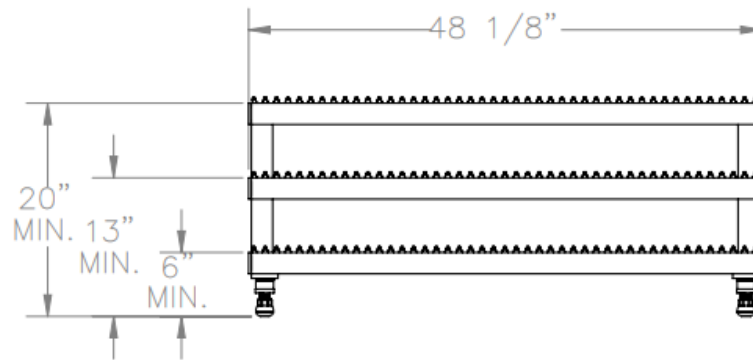
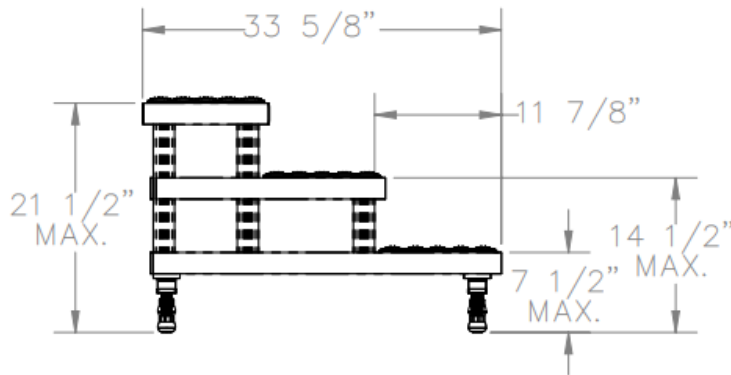
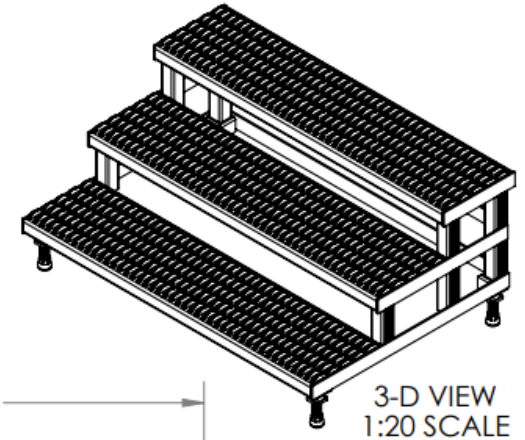


# ADJUSTABLE STEP-MATE STAND, ALUMINUM - ASP-48-3-A

APPROX WEIGHT: 88.14 lbs.  
DOES NOT INCLUDE WEIGHT OF POWER OR PACKAGING!!!

\*\*\* ANY ADDITIONS, DELETIONS, OR OMISSIONS MUST BE CORRECTED ON THIS DRAWING AS THIS DRAWING WILL BE CONSIDERED ALL INCLUSIVE \*\*\*  
ALL GRAPHICS PROVIDED ARE FOR REFERENCE ONLY. IF CERTAIN DIMENSIONS ARE CRITICAL PLEASE VERIFY THOSE DIMENSIONS WITH YOUR SALESPERSON



## STANDARD FEATURES

MODEL NUMBER IS ASP-48-3-A  
CAPACITY: 500 LBS  
OVERALL WIDTH: 48 1/8"  
OVERALL LENGTH: 33 5/8"  
BOTTOM STEP HEIGHT: MIN. 6", MAX. 7 1/2"  
MIDDLE STEP HEIGHT: MIN. 13", MAX. 14 1/2"  
TOP STEP HEIGHT: MIN. 20", MAX. 21 1/2"

### STEPS:

-SERRATED ALUMINUM 11 7/8" DEEP

### LEGS:

-ADJUSTABLE  
-ANTI-SLIP TIPS

ALUMINUM PLATFORM WITH POWDER  
COATED STEEL LEGS

## SPECIAL FEATURES

NONE

DIMENSION TOLERANCE  $\pm 1/4"$

APPROVAL

I, THE UNDERSIGNED, AGREE THAT THE PRODUCT AS REPRESENTED SATISFIES DESIGN AND DIMENSION REQUIREMENTS. I ALSO ACKNOWLEDGE MY DUTY TO CONFIRM PRODUCT AND INSTALLATION COMPLIANCE WITH ALL APPLICABLE FEDERAL, STATE AND LOCAL REGULATIONS AND STANDARDS.

**ANY MODIFIED UNITS ARE NON-RETURNABLE**

As drawn       As marked

Signed: \_\_\_\_\_ Date: \_\_\_\_\_

Printed Name: \_\_\_\_\_

LEAD TIME WILL START UPON RECEIPT OF SIGNED APPROVAL DRAWING

FOR INTERNAL USE ONLY  
PROJECT SIGN OFF

SALES	
ENG.	
FAB.	
POWER	

DISTRIBUTOR'S NAME:		P.O.#
		X
		W.O.#
		X
DRAWN BY:	BJW	DATE:
		5/21/2012
REFERENCE:	X	SCALE:
		1:16
QUOTED LEAD TIME:	X	QUOTE #
		X
		FILE NAME:
		14-007-163

...