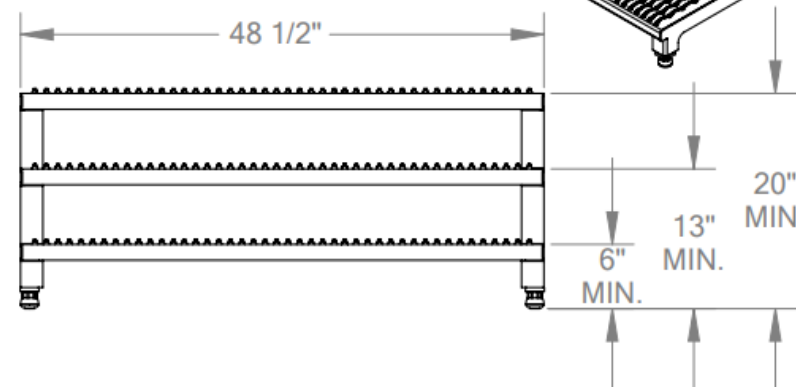
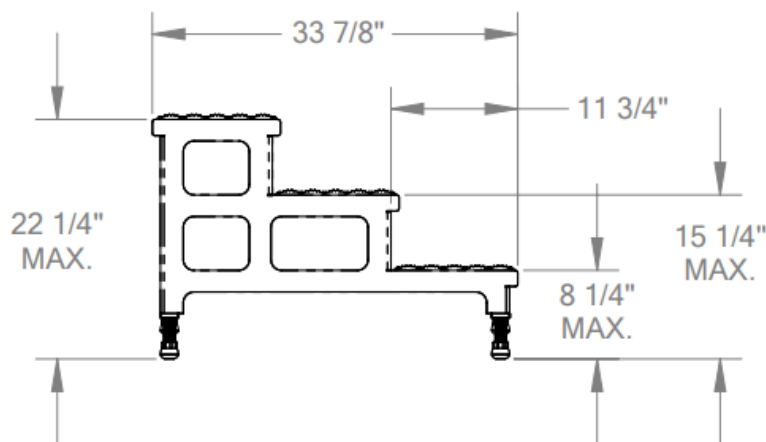
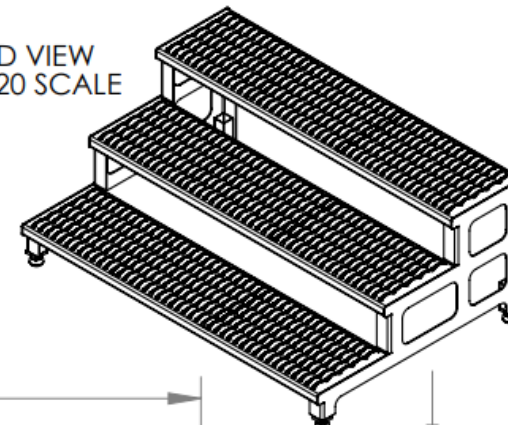


ADJUSTABLE STEP-MATE STAND- MODEL: ASP-48-3

APPROX WEIGHT: 110.73 lbs.
DOES NOT INCLUDE WEIGHT OF POWER OR PACKAGING!!!

*** ANY ADDITIONS, DELETIONS, OR OMISSIONS MUST BE CORRECTED ON THIS DRAWING AS THIS DRAWING WILL BE CONSIDERED ALL INCLUSIVE ***
ALL GRAPHICS PROVIDED ARE FOR REFERENCE ONLY. IF CERTAIN DIMENSIONS ARE CRITICAL PLEASE VERIFY THOSE DIMENSIONS WITH YOUR SALESPERSON

3-D VIEW
1:20 SCALE



DIMENSION TOLERANCE ± 1/4"

STANDARD FEATURES

- MODEL NUMBER : ASP-48-3
- CAPACITY: 500 LBS
- OVERALL WIDTH: 48 1/2"
- OVERALL LENGTH: 33 7/8"
- BOTTOM STEP HEIGHT: MIN. 6", MAX. 8 1/4"
- MIDDLE STEP HEIGHT: MIN. 13", MAX. 15 1/4"
- TOP STEP HEIGHT: MIN. 20", MAX. 22 1/4"

STEPS:

- SERRATED STEEL 11 3/4" DEEP

LEGS:

- ADJUSTABLE
- ANTI-SLIP TIPS

TOUGH BAKED IN POWDER
COATED YELLOW FINISH

SPECIAL FEATURES

NONE

APPROVAL

I, THE UNDERSIGNED, AGREE THAT THE PRODUCT AS REPRESENTED SATISFIES DESIGN AND DIMENSION REQUIREMENTS. I ALSO ACKNOWLEDGE MY DUTY TO CONFIRM PRODUCT AND INSTALLATION COMPLIANCE WITH ALL APPLICABLE FEDERAL, STATE AND LOCAL REGULATIONS AND STANDARDS.

ANY MODIFIED UNITS ARE NON-RETURNABLE

As drawn As marked

Signed: _____ Date: _____

Printed Name: _____

LEAD TIME WILL START UPON RECEIPT OF SIGNED APPROVAL DRAWING

FOR INTERNAL USE ONLY PROJECT SIGN OFF	
SALES	
ENG.	
FAB.	
POWER	

DISTRIBUTOR'S NAME:		P.O.#	X
		W.O.#	X
DRAWN BY:	W. STALEY	DATE:	12/31/08
REFERENCE:	X	SCALE:	1:16
QUOTED LEAD TIME:	✓	QUOTE #	14-007-093

'''