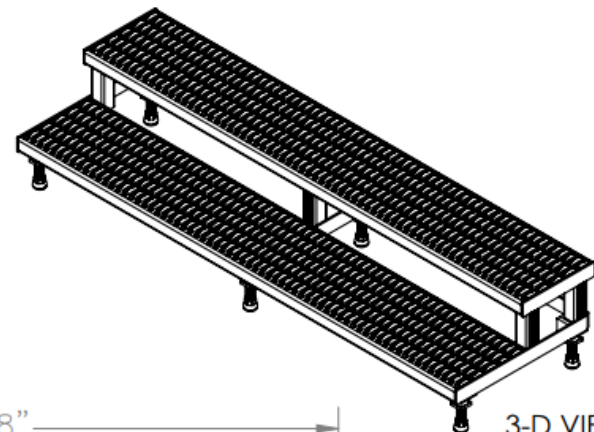


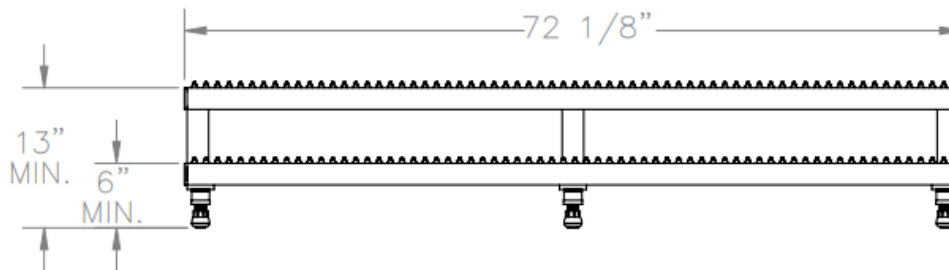
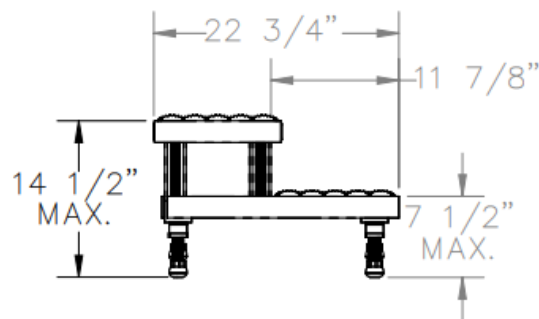
ADJUSTABLE STEP-MATE STAND, ALUMINUM - ASP-72-A

APPROX WEIGHT: 77.26 lbs.
 DOES NOT INCLUDE WEIGHT OF POWER OR PACKAGING!!!

*** ANY ADDITIONS, DELETIONS, OR OMISSIONS MUST BE CORRECTED ON THIS DRAWING AS THIS DRAWING WILL BE CONSIDERED ALL INCLUSIVE ***
 ALL GRAPHICS PROVIDED ARE FOR REFERENCE ONLY. IF CERTAIN DIMENSIONS ARE CRITICAL PLEASE VERIFY THOSE DIMENSIONS WITH YOUR SALESPERSON



3-D VIEW
 1:20 SCALE



STANDARD FEATURES

MODEL NUMBER IS ASP-72-A
 CAPACITY: 500 LBS
 OVERALL WIDTH: 72 1/8"
 OVERALL LENGTH: 22 3/4"
 BOTTOM STEP HEIGHT: MIN. 6", MAX. 7 1/2"
 TOP STEP HEIGHT: MIN. 13", MAX. 14 1/2"
 STEPS:

-SERRATED ALUMINUM 11 7/8" DEEP

LEGS:

-ADJUSTABLE
 -ANTI-SLIP TIPS

ALUMINUM PLATFORM WITH POWDER
 COATED STEEL LEGS

SPECIAL FEATURES

NONE

DIMENSION TOLERANCE ± 1/4"

APPROVAL

I, THE UNDERSIGNED, AGREE THAT THE PRODUCT AS REPRESENTED SATISFIES DESIGN AND DIMENSION REQUIREMENTS. I ALSO ACKNOWLEDGE MY DUTY TO CONFIRM PRODUCT AND INSTALLATION COMPLIANCE WITH ALL APPLICABLE FEDERAL, STATE AND LOCAL REGULATIONS AND STANDARDS.

ANY MODIFIED UNITS ARE NON-RETURNABLE

As drawn As marked

Signed: _____ Date: _____

Printed Name: _____

LEAD TIME WILL START UPON RECEIPT OF SIGNED APPROVAL DRAWING

FOR INTERNAL USE ONLY
 PROJECT SIGN OFF

SALES	
ENG.	
FAB.	
POWER	

DISTRIBUTOR'S NAME:		P.O.#	X
		W.O.#	X
DRAWN BY:	BJW	DATE:	5/21/2012
REFERENCE:	X	SCALE:	1:16
QUOTED LEAD TIME:	Y	QUOTE #	14-007-160

'''