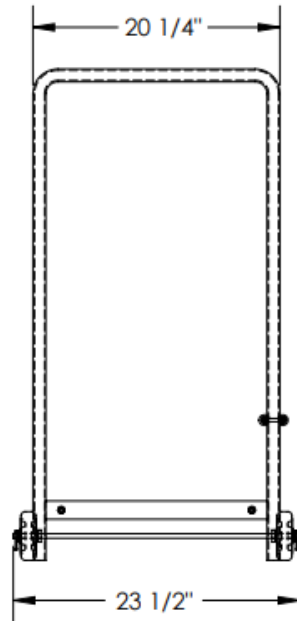


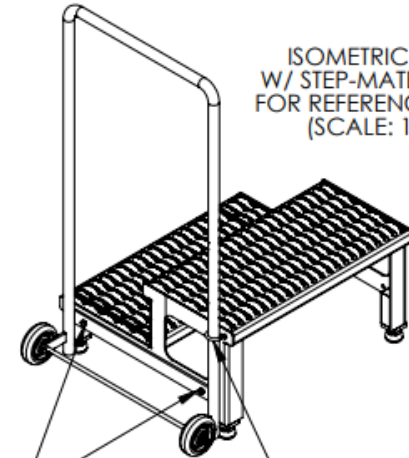
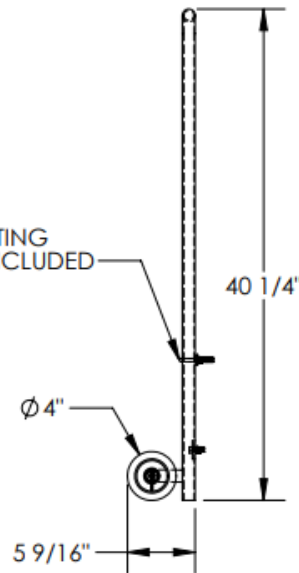
BOLT-ON PORTABILITY KIT - ASP-PORT

APPROX WEIGHT: 12 lbs.
DOES NOT INCLUDE WEIGHT OF POWER OR PACKAGING!!!

*** ANY ADDITIONS, DELETIONS, OR OMISSIONS MUST BE CORRECTED ON THIS DRAWING AS THIS DRAWING WILL BE CONSIDERED ALL INCLUSIVE ***
ALL GRAPHICS PROVIDED ARE FOR REFERENCE ONLY. IF CERTAIN DIMENSIONS ARE CRITICAL PLEASE VERIFY THOSE DIMENSIONS WITH YOUR SALESPERSON



U-BOLT AND OTHER MOUNTING HARDWARE INCLUDED



ISOMETRIC VIEW W/ STEP-MATE STAND FOR REFERENCE ONLY (SCALE: 1:16)

(2) HEX HEAD CAP SCREWS

U-BOLT

ASP-PORT ATTACHES TO STEP-MATE STAND AT (3) PLACES - (2) HEX HEAD CAP SCREWS AND THE U-BOLT

DIMENSION TOLERANCE $\pm 1/4$ "

STANDARD FEATURES

MODEL NUMBER: ASP-PORT
OVERALL WIDTH: 23 1/2"
USABLE WIDTH: 20 1/4"
OVERALL DEPTH: 5 9/16"
OVERALL HEIGHT: 40 1/4"
(2) 4" O.D. x 1 1/4" WIDE

POLY ON POLY WHEELS

ASP-PORT CAN BE ATTACHED TO EITHER SIDE OF THE ASP STEP-MATE STAND

SPECIAL FEATURES

NONE

THE ASP-PORT WILL WORK ON THE FOLLOWING STEP-MATE STANDS:

ASP-24, ASP-36, ASP-48
ASP-24-SS, ASP-36-SS, ASP-48-SS

APPROVAL

I, THE UNDERSIGNED, AGREE THAT THE PRODUCT AS REPRESENTED SATISFIES DESIGN AND DIMENSION REQUIREMENTS. I ALSO ACKNOWLEDGE MY DUTY TO CONFIRM PRODUCT AND INSTALLATION COMPLIANCE WITH ALL APPLICABLE FEDERAL, STATE AND LOCAL REGULATIONS AND STANDARDS.

ANY MODIFIED UNITS ARE NON-RETURNABLE

[] As drawn [] As marked

Signed: _____ Date: _____

Printed Name: _____

LEAD TIME WILL START UPON RECEIPT OF SIGNED APPROVAL DRAWING

FOR INTERNAL USE ONLY PROJECT SIGN OFF		DISTRIBUTOR'S NAME:		P.O.#	
SALES				X	
ENG.				W.O.#	
FAB.		DRAWN BY: QW		X	
POWER		DATE: 02/09/2010		SALES: X	
		REFERENCE: X		SCALE: 1:14	
		QUOTED LEAD TIME: X		FILE NAME:	
				14-007-100	
				QUOTE #	
				X	