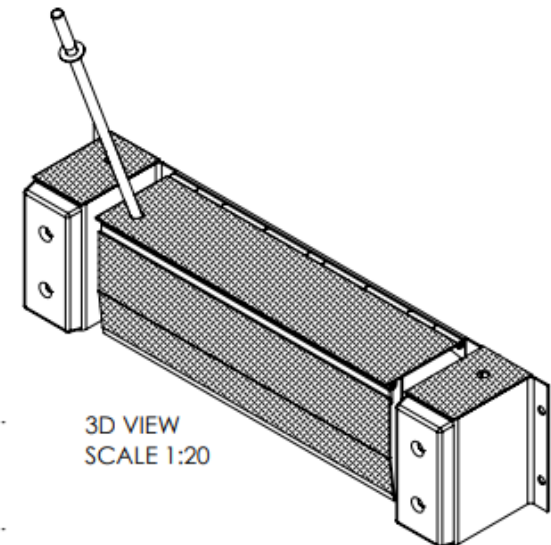
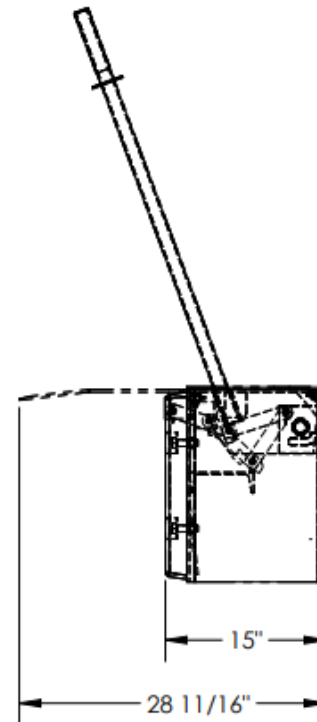
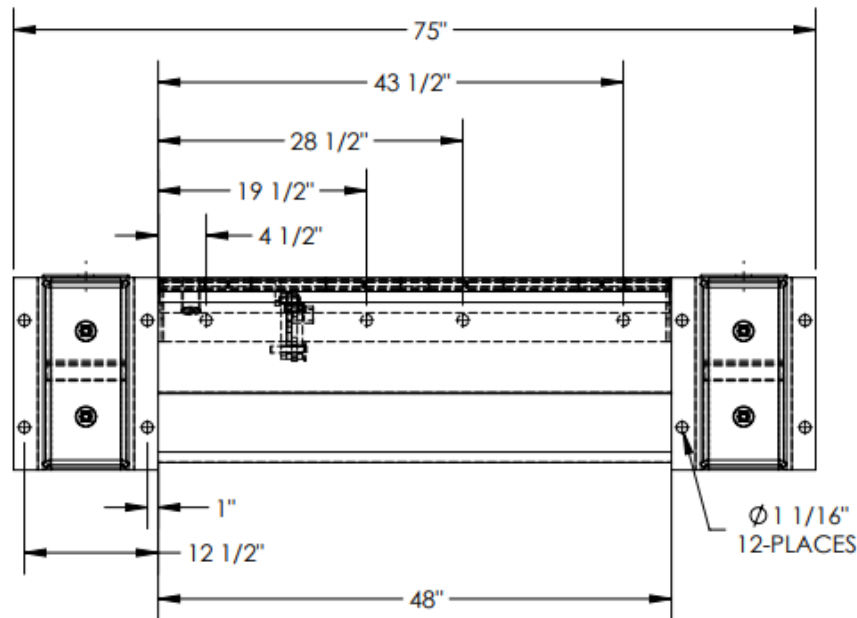


MECHANICAL EDGE-O-DOCKLEVELER: FM-0648

APPROX WEIGHT: 321 lbs.
DOES NOT INCLUDE WEIGHT OF POWER OR PACKAGING!!!

*** ANY ADDITIONS, DELETIONS, OR OMISSIONS MUST BE CORRECTED ON THIS DRAWING AS THIS DRAWING WILL BE CONSIDERED ALL INCLUSIVE ***
ALL GRAPHICS PROVIDED ARE FOR REFERENCE ONLY. IF CERTAIN DIMENSIONS ARE CRITICAL PLEASE VERIFY THOSE DIMENSIONS WITH YOUR SALESPERSON



3D VIEW
SCALE 1:20

DIMENSION TOLERANCE ± 1/4"

STANDARD FEATURES

MODEL NUMBER IS FM-0648
DECK WIDTH IS 48"
OVERALL WIDTH IS 75"
MAXIMUM CAPACITY IS 6,000 LBS.
STANDARD TOE GUARDS
GREASE ZERK FITTINGS
18" HIGH BUMPERS (TO SERVE LOW TRUCKS)
SERVICE RANGE OF 5" ABOVE / 5" BELOW DOCK
INCLUDES HANDLE, BUMPERS, & BUMPER BOXES
TREADPLATE RAMP & DECK CONSTRUCTION
DURABLE LIQUID PAINT BROWN FINISH

EDGE-O-DOCKS & DOCK SEALS OR SHELTERS
CAN BE USED TOGETHER.
DOCK SEALS OR SHELTERS REQUIRE A
MINIMUM PROJECTION OF 20".

SPECIAL FEATURES

NONE

APPROVAL	I, THE UNDERSIGNED, AGREE THAT THE PRODUCT AS REPRESENTED SATISFIES DESIGN AND DIMENSION REQUIREMENTS. I ALSO ACKNOWLEDGE MY DUTY TO CONFIRM PRODUCT AND INSTALLATION COMPLIANCE WITH ALL APPLICABLE FEDERAL, STATE AND LOCAL REGULATIONS AND STANDARDS.	
	ANY MODIFIED UNITS ARE NON-RETURNABLE	
	[] As drawn [] As marked	
	Signed: _____	Date: _____
Printed Name: _____		
LEAD TIME WILL START UPON RECEIPT OF SIGNED APPROVAL DRAWING		

FOR INTERNAL USE ONLY PROJECT SIGN OFF		DISTRIBUTOR'S NAME: _____		P.O.# X
SALES		DRAWN BY: TJM		DATE: 08/30/18
ENG.		REFERENCE: X	SCALE: 1:16	SALES: X
FAB.		QUOTED LEAD TIME: X	QUOTE #	FILE NAME: 07-007-098
POWER			X	