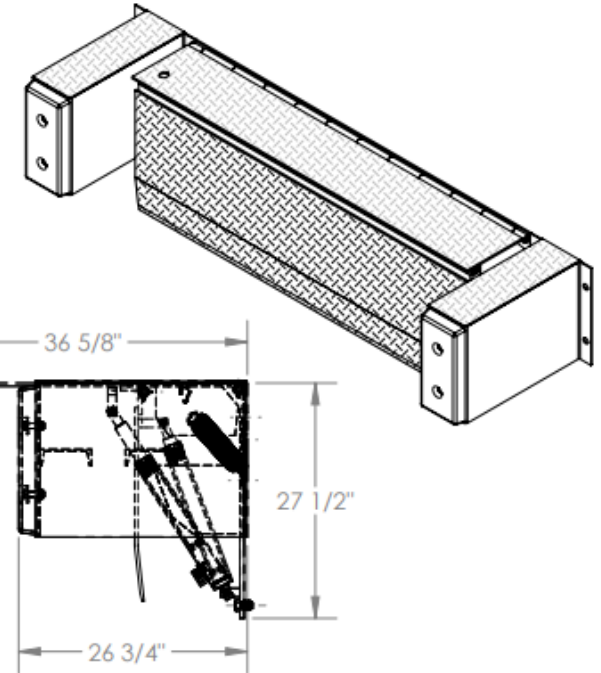
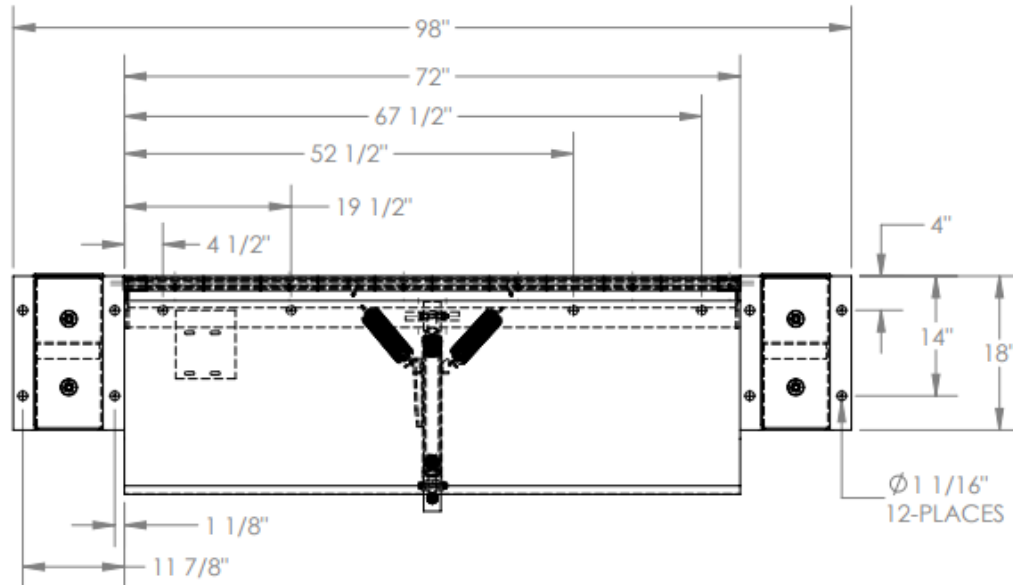


EDGE-O-DOCKLEVELER - PE-1572-36

APPROX WEIGHT: 649.82 lbs.
DOES NOT INCLUDE WEIGHT OF POWER OR PACKAGING!!

*** ANY ADDITIONS, DELETIONS, OR OMISSIONS MUST BE CORRECTED ON THIS DRAWING AS THIS DRAWING WILL BE CONSIDERED ALL INCLUSIVE ***
ALL GRAPHICS PROVIDED ARE FOR REFERENCE ONLY. IF CERTAIN DIMENSIONS ARE CRITICAL PLEASE VERIFY THOSE DIMENSIONS WITH YOUR SALESPERSON



STANDARD FEATURES

MODEL NUMBER IS PE-1572-36
OVERALL WIDTH IS 98"
DECK WIDTH IS 72"
OVERALL DEPTH WITH RAMP OUT IS 36 5/8"
BUMPER PROJECTION IS 26 3/4"
UNIFORM CAPACITY IS 15,000 LBS
5" ABOVE / 5" BELOW SERVICE RANGE
RECOMMENDED FOR DOCKS AT LEAST 48" HIGH
UNIT COMES WITH MOTOR, PUMP,
CONTROL BOX, CYLINDER, LINES, AND OIL.
TREADPLATE RAMP & DECK CONSTRUCTION

SPECIAL FEATURES

NONE

FOR INTERNAL USE ONLY PROJECT SIGN OFF	
SALES	
ENG.	
FAB.	
POWER	

PLEASE CIRCLE SPECIFICATIONS:

POWER	AC	HAND PUMP
MOTOR VOLTAGE	115	208 230 460
DEDICATED CIRCUIT REQUIRED		
MOTOR PHASE	SINGLE	THREE
CONTROL	HAND	* FOOT

* AVAILABLE AT ADDITIONAL COST

DIMENSION TOLERANCE ± 1/4"

APPROVAL

I, THE UNDERSIGNED, AGREE THAT THE PRODUCT AS REPRESENTED SATISFIES DESIGN AND DIMENSION REQUIREMENTS. I ALSO ACKNOWLEDGE MY DUTY TO CONFIRM PRODUCT AND INSTALLATION COMPLIANCE WITH ALL APPLICABLE FEDERAL, STATE AND LOCAL REGULATIONS AND STANDARDS.

ANY MODIFIED UNITS ARE NON-RETURNABLE

[] As drawn [] As marked

Signed: _____ Date: _____

Printed Name: _____

LEAD TIME WILL START UPON RECEIPT OF SIGNED APPROVAL DRAWING

DISTRIBUTOR'S NAME:	P.O.# X
	W.O.# X
DRAWN BY: M. WILSON	DATE: 1/8/2013
REFERENCE: X	SCALE: 1:20
QUOTED LEAD TIME: X	QUOTE # X
	06-007-062