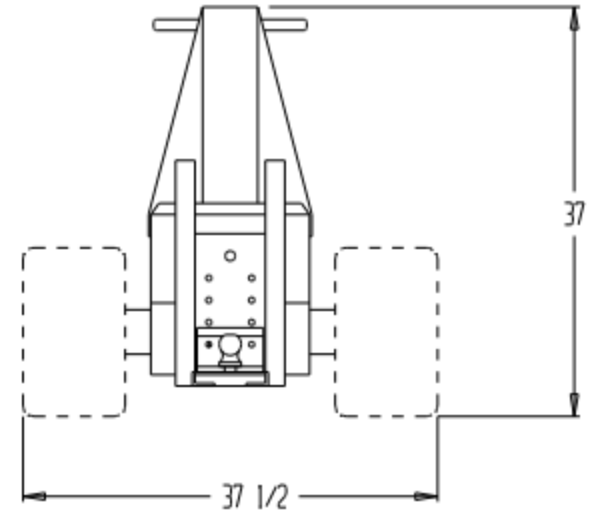
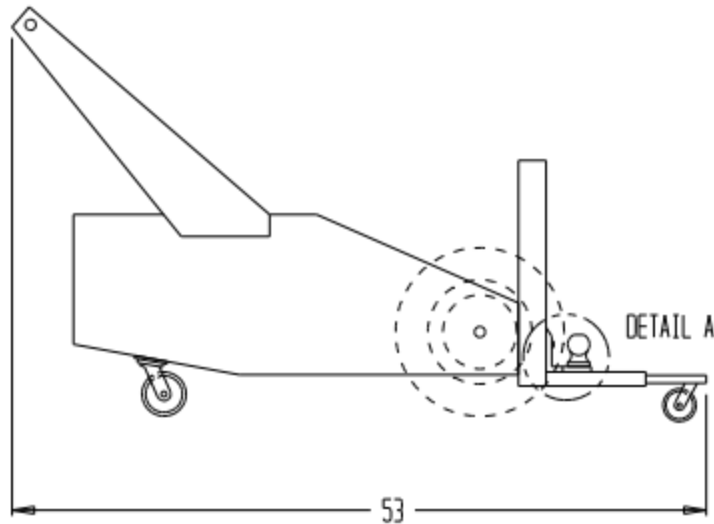


POWER MOVE MASTER PMM-1000



FRONT OR REAR CASTER NOT SHOWN IN VIEW

Any additions, deletions or omissions must be corrected on this drawing, as this drawing will be considered all inclusive.

All graphics provided are for reference only. If certain dimensions are critical please verify those dimensions with your salesperson

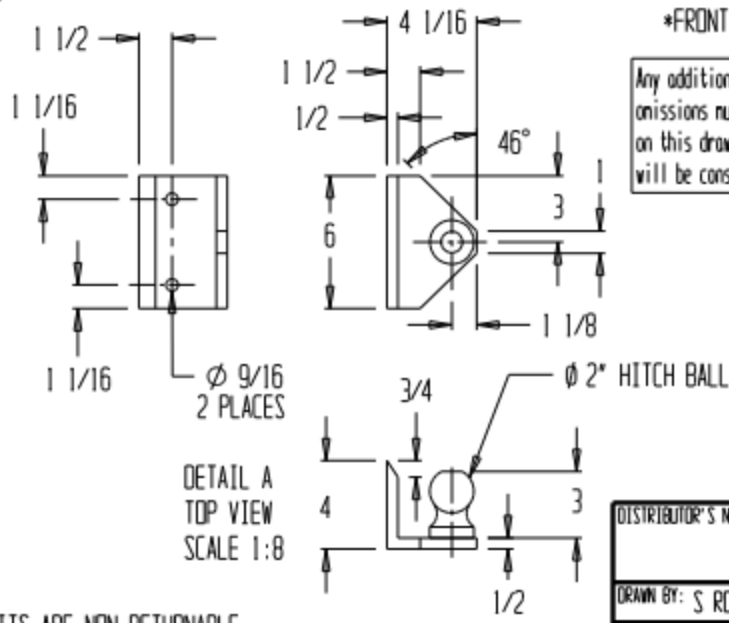
DIMENSION TOLERANCE +/- 1/2"

FOR INTERNAL USE ONLY	
PROJECT SIGN OFF	
SALES	
ENG	
FAB.	
POWER	

STANDARD FEATURES

- MODEL NUMBER: PMM-1000
- MAXIMUM PULL WEIGHT: 40,000 LBS.
- OVERALL WIDTH: 37 1/2"
- OVERALL LENGTH: 53"
- OVERALL HEIGHT: 37"
- TONGUE-WEIGHT LOAD FROM LIFT: 1,000 LBS.
- TIRE SIZE: 9 1/2" X 18"
- UNIT NET WEIGHT: 605 LBS.

**SPECIAL UNITS ARE NON-RETURNABLE
*AVAILABLE AT ADDITIONAL COSTS



DETAIL A
TOP VIEW
SCALE 1:8

I, THE UNDERSIGNED, AGREE THAT THE PRODUCT AS REPRESENTED SATISFIES DESIGN & DIMENSION REQUIREMENTS. I ALSO ACKNOWLEDGE MY DUTY TO CONFIRM PRODUCT & INSTALLATION COMPLIANCE WITH ALL APPLICABLE FEDERAL, STATE AND LOCAL REGULATIONS & STANDARDS.
ANY MODIFIED UNITS ARE NON-RETURNABLE
() As drawn () As marked
Signed: _____ Date: _____
Printed Name: _____
LEAD TIME WILL START UPON RECEIPT OF SIGNED APPROVAL DRAWING

DISTRIBUTOR'S NAME:		P.O.#: -
DRAWN BY: S ROSE		W.O.#: -
DATE: 12-23-03	SALES: -	
REFERENCE: -	SCALE: -	DRWG./FILE NAME:
QUOTED LEADTIME: -	QUOTE #: -	PMM-1000