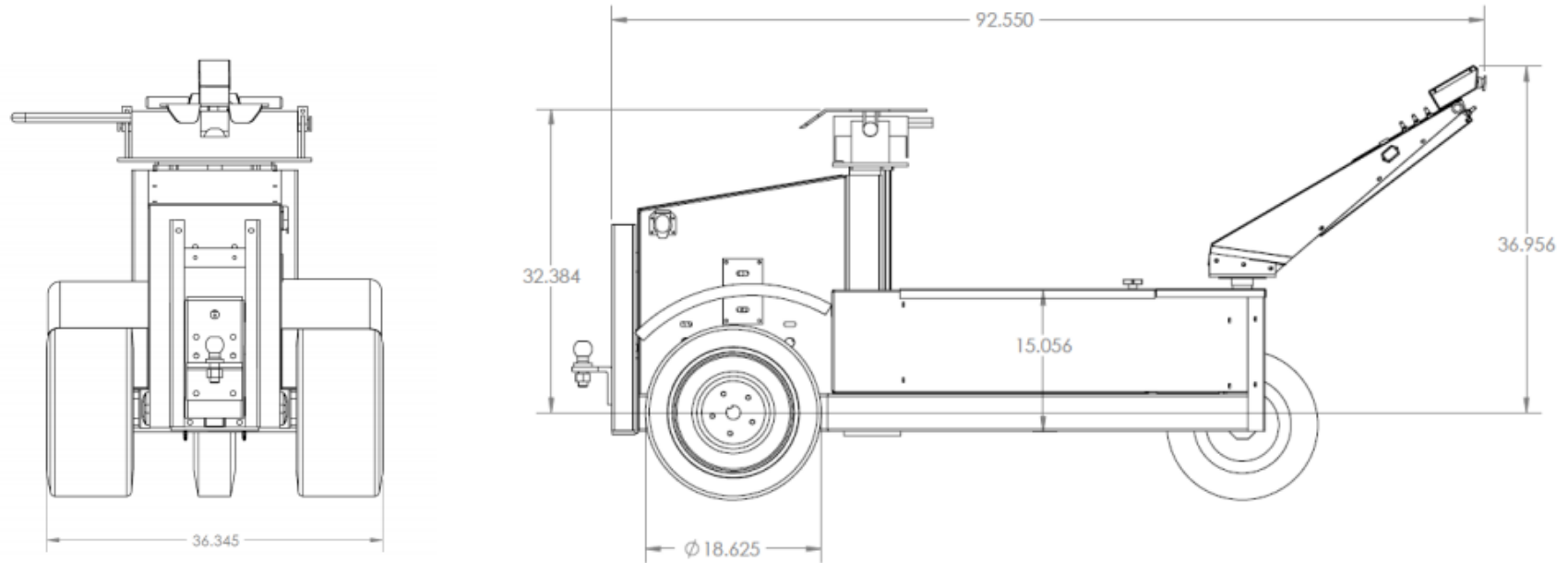


POWER MOVE MASTER - PMM-3000-15

APPROX WEIGHT: lbs.
DOES NOT INCLUDE WEIGHT OF POWER OR PACKAGING!!!

*** ANY ADDITIONS, DELETIONS, OR OMISSIONS MUST BE CORRECTED ON THIS DRAWING AS THIS DRAWING WILL BE CONSIDERED ALL INCLUSIVE ***
ALL GRAPHICS PROVIDED ARE FOR REFERENCE ONLY. IF CERTAIN DIMENSIONS ARE CRITICAL PLEASE VERIFY THOSE DIMENSIONS WITH YOUR SALESPERSON



STANDARD FEATURES

MODEL NUMBER IS PMM-3000-15
 MAXIMUM PULL WEIGHT: 70,000 LBS.
 OVERALL WIDTH IS 36"
 OVERALL LENGTH IS 96"
 OVERALL HEIGHT IS 43"
 TONGUE-WEIGHT LOAD FROM
 FRONT LIFT: 3,000 LBS.
 TOP LIFT: 1,000 LBS.
 TIRE SIZE 9 1/2" X 18"
 UNIT NET WEIGHT: 2,150 LBS.

SPECIAL FEATURES

NONE

DIMENSION TOLERANCE $\pm 1/4"$

APPROVAL	I, THE UNDERSIGNED, AGREE THAT THE PRODUCT AS REPRESENTED SATISFIES DESIGN AND DIMENSION REQUIREMENTS. I ALSO ACKNOWLEDGE MY DUTY TO CONFIRM PRODUCT AND INSTALLATION COMPLIANCE WITH ALL APPLICABLE FEDERAL, STATE AND LOCAL REGULATIONS AND STANDARDS.	
	ANY MODIFIED UNITS ARE NON-RETURNABLE	
	[] As drawn [] As marked	
	Signed: _____	Date: _____
Printed Name: _____		
LEAD TIME WILL START UPON RECEIPT OF SIGNED APPROVAL DRAWING		

FOR INTERNAL USE ONLY PROJECT SIGN OFF		DISTRIBUTOR'S NAME:		P.O.#
SALES				X
ENG.		DRAWN BY: X	DATE: XX/XX/XX	W.O.#
FAB.		REFERENCE: X	SCALE: 1:48	X
POWER		QUOTED LEAD TIME: X	QUOTE # X	FILE NAME: PMM-3000-15