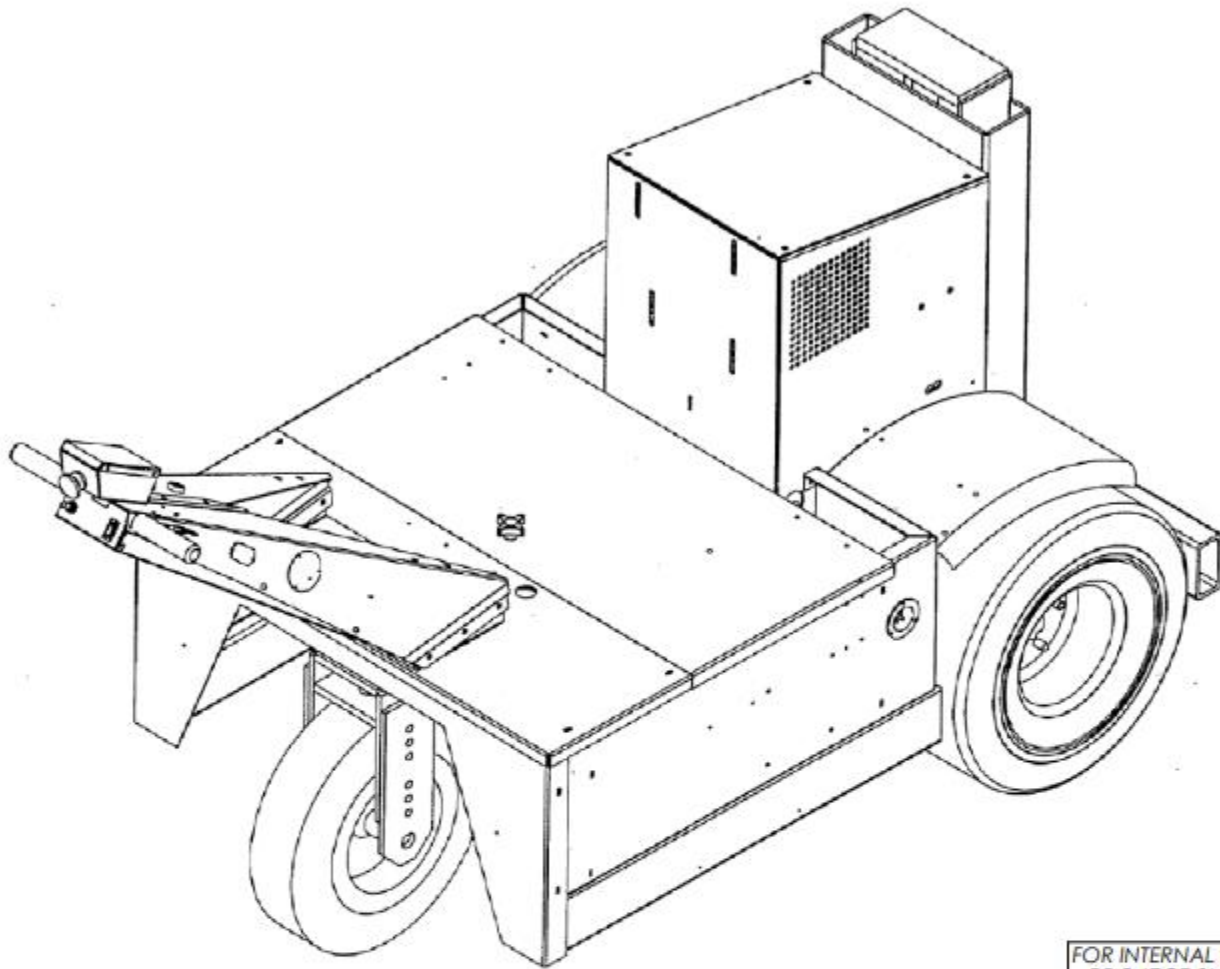


# POWER MOVE MASTER - PMM-3000

\*\*\*ANY ADDITIONS, DELETIONS, OR OMISSIONS MUST BE CORRECTED ON THIS DRAWING AS THIS DRAWING WILL BE CONSIDERED ALL INCLUSIVE\*\*\*



ALL GRAPHICS PROVIDED ARE FOR REFERENCE ONLY. IF CERTAIN DIMENSIONS ARE CRITICAL PLEASE VERIFY THOSE DIMENSIONS WITH YOUR SALESPERSON

FOR INTERNAL USE ONLY PROJECT SIGN OFF	
SALES	
ENG.	
FAB.	
POWER	

DIMENSION TOLERANCE  $\pm 1/4"$

## STANDARD FEATURES

MODEL NUMBER: PMM-3000  
 MAXIMUM PULL WEIGHT: 70,000 LBS.  
 OVERALL WIDTH: 36"  
 OVERALL LENGTH: 78"  
 OVERALL HEIGHT: 43"  
 TORQUE-WEIGHT LOAD FROM FRONT LIFT: 1,000 LBS.  
 TIRE SIZE:  $\text{Ø}18 \times 9 \frac{1}{2}"$   
 UNIT NET WEIGHT: 1,500 LBS.

## SPECIAL FEATURES

NONE

<b>A P P R O V A L</b>	I, THE UNDERSIGNED, AGREE THAT THE PRODUCT AS REPRESENTED SATISFIES DESIGN AND DIMENSION REQUIREMENTS. I ALSO ACKNOWLEDGE MY DUTY TO CONFIRM PRODUCT AND INSTALLATION COMPLIANCE WITH ALL APPLICABLE FEDERAL, STATE AND LOCAL REGULATIONS AND STANDARDS.	
	<b>ANY MODIFIED UNITS ARE NON-RETURNABLE</b>	
	[ ] As drawn [ ] As marked	
	Signed: _____ Date: _____	
	Printed Name: _____	
<b>LEAD TIME WILL START UPON RECEIPT OF SIGNED APPROVAL DRAWING</b>		

DISTRIBUTOR'S NAME:		P.O.# X
		W.O.# X
DRAWN BY: X	DATE: XX/XX/XX	SALES: X
REFERENCE: X	SCALE: 1:48	FILE NAME:
QUOTED LEAD TIME: X	QUOTE # X	PMM-3000