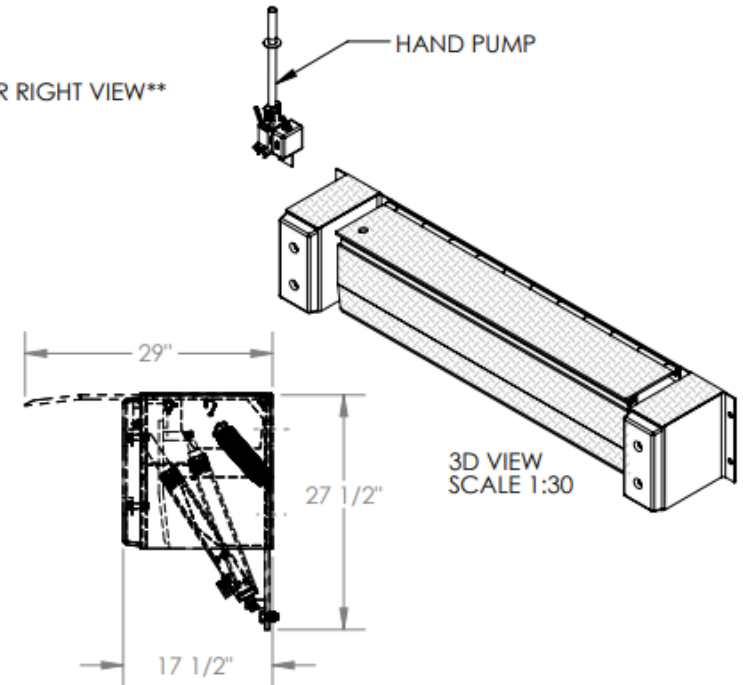
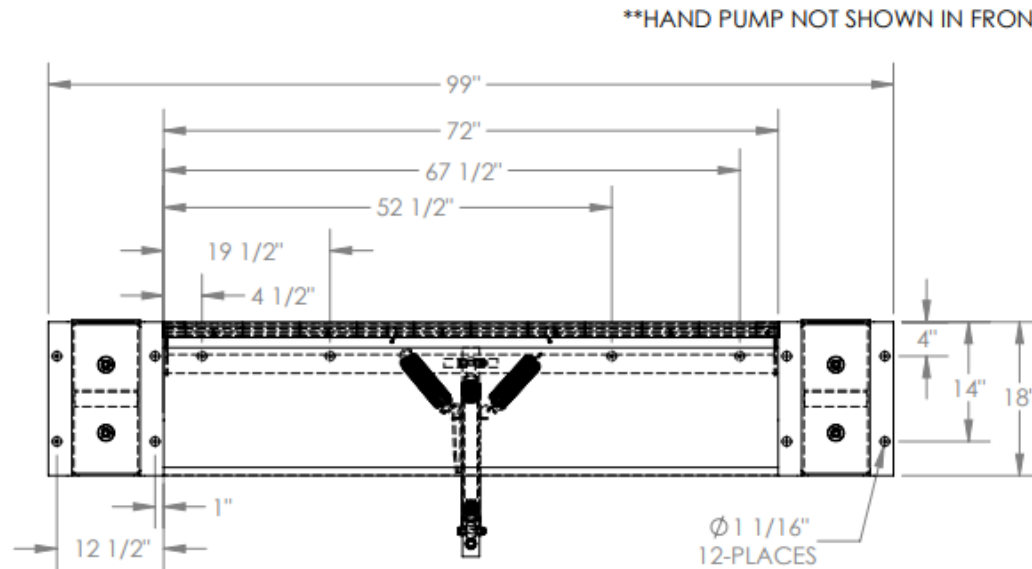


# EDGE-O-DOCKLEVELER - PP-2572

APPROX WEIGHT: 600.49 lbs.  
DOES NOT INCLUDE WEIGHT OF POWER OR PACKAGING!!!

\*\*\* ANY ADDITIONS, DELETIONS, OR OMISSIONS MUST BE CORRECTED ON THIS DRAWING AS THIS DRAWING WILL BE CONSIDERED ALL INCLUSIVE \*\*\*  
ALL GRAPHICS PROVIDED ARE FOR REFERENCE ONLY. IF CERTAIN DIMENSIONS ARE CRITICAL PLEASE VERIFY THOSE DIMENSIONS WITH YOUR SALESPERSON



## STANDARD FEATURES

MODEL NUMBER IS PP-2572  
OVERALL WIDTH IS 99"  
DECK WIDTH IS 72"  
OVERALL DEPTH WITH RAMP OUT IS 29"  
BUMPER PROJECTION IS 17 1/2"  
UNIFORM CAPACITY IS 25,000 LBS.  
5" ABOVE / 5" BELOW SERVICE RANGE  
HYDRAULIC HAND PUMP OPERATION  
RECOMMENDED FOR DOCKS AT LEAST 48" HIGH.  
INCLUDES HAND PUMP, WALL-MOUNT BRACKET,  
CYLINDER, HYDRAULIC LINES AND OIL.  
TREADPLATE RAMP & DECK CONSTRUCTION

## SPECIAL FEATURES

NONE

DIMENSION TOLERANCE ± 1/4"

<b>APPROVAL</b>	I, THE UNDERSIGNED, AGREE THAT THE PRODUCT AS REPRESENTED SATISFIES DESIGN AND DIMENSION REQUIREMENTS. I ALSO ACKNOWLEDGE MY DUTY TO CONFIRM PRODUCT AND INSTALLATION COMPLIANCE WITH ALL APPLICABLE FEDERAL, STATE AND LOCAL REGULATIONS AND STANDARDS.	
	<b>ANY MODIFIED UNITS ARE NON-RETURNABLE</b>	
	[ ] As drawn      [ ] As marked	
	Signed: _____	Date: _____
Printed Name: _____		LEAD TIME WILL START UPON RECEIPT OF SIGNED APPROVAL DRAWING

FOR INTERNAL USE ONLY PROJECT SIGN OFF	
SALES	
ENG.	
FAB.	
POWER	

DISTRIBUTOR'S NAME:		P.O.# X
		W.O.# X
DRAWN BY: M.WILSON	DATE: 12/19/2012	SALES: X
REFERENCE: X	SCALE: 1:20	FILE NAME:
QUOTED LEAD TIME: X	QUOTE # X	06-007-005