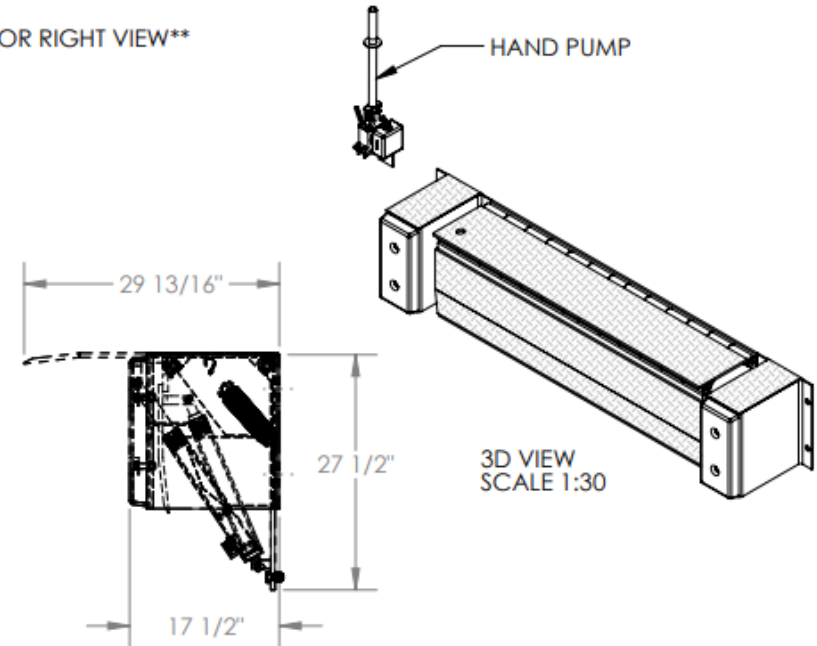
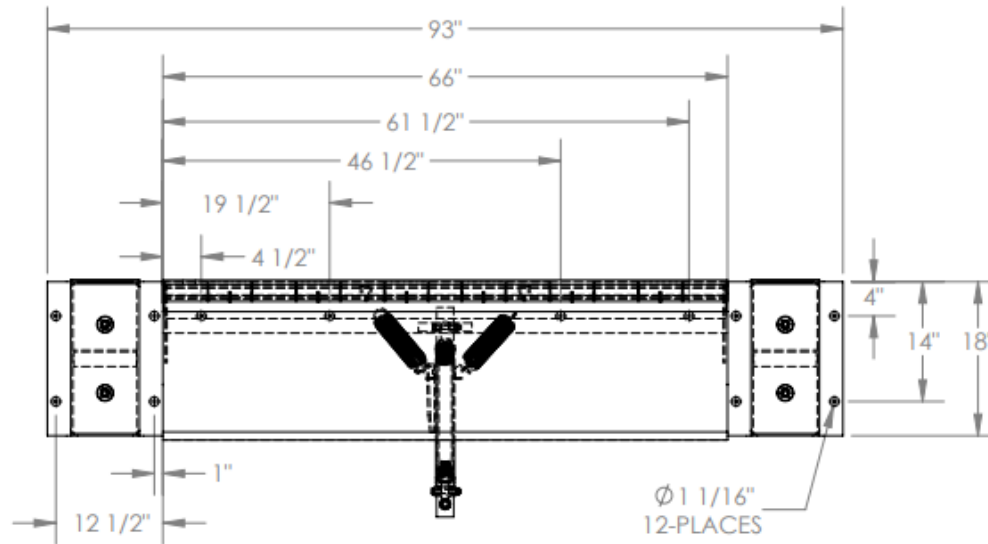


EDGE-O-DOCKLEVELER - PP-3066

APPROX WEIGHT: 655.05 lbs.
DOES NOT INCLUDE WEIGHT OF POWER OR PACKAGING!!!

*** ANY ADDITIONS, DELETIONS, OR OMISSIONS MUST BE CORRECTED ON THIS DRAWING AS THIS DRAWING WILL BE CONSIDERED ALL INCLUSIVE ***
ALL GRAPHICS PROVIDED ARE FOR REFERENCE ONLY. IF CERTAIN DIMENSIONS ARE CRITICAL PLEASE VERIFY THOSE DIMENSIONS WITH YOUR SALESPERSON

HAND PUMP NOT SHOWN IN FRONT OR RIGHT VIEW



STANDARD FEATURES

MODEL NUMBER IS PP-3066
OVERALL WIDTH IS 93"
DECK WIDTH IS 66"
OVERALL DEPTH WITH RAMP OUT IS 29 13/16"
BUMPER PROJECTION IS 17 1/2"
UNIFORM CAPACITY IS 30,000 LBS.
5" ABOVE / 5" BELOW SERVICE RANGE
HYDRAULIC HAND PUMP OPERATION
RECOMMENDED FOR DOCKS AT LEAST 48" HIGH.
INCLUDES HAND PUMP, WALL-MOUNT BRACKET,
CYLINDER, HYDRAULIC LINES AND OIL.
TREADPLATE RAMP & DECK CONSTRUCTION

SPECIAL FEATURES

NONE

DIMENSION TOLERANCE ± 1/4"

APPROVAL

I, THE UNDERSIGNED, AGREE THAT THE PRODUCT AS REPRESENTED SATISFIES DESIGN AND DIMENSION REQUIREMENTS. I ALSO ACKNOWLEDGE MY DUTY TO CONFIRM PRODUCT AND INSTALLATION COMPLIANCE WITH ALL APPLICABLE FEDERAL, STATE AND LOCAL REGULATIONS AND STANDARDS.

ANY MODIFIED UNITS ARE NON-RETURNABLE

As drawn As marked

Signed: _____ Date: _____

Printed Name: _____

LEAD TIME WILL START UPON RECEIPT OF SIGNED APPROVAL DRAWING

FOR INTERNAL USE ONLY PROJECT SIGN OFF	
SALES	
ENG.	
FAB.	
POWER	

DISTRIBUTOR'S NAME:		P.O.#	X
		W.O.#	X
DRAWN BY:	M. WILSON	DATE:	12/19/2012
REFERENCE:	X	SCALE:	1:20
QUOTED LEAD TIME:	X	QUOTE #	X
		FILE NAME:	06-007-004