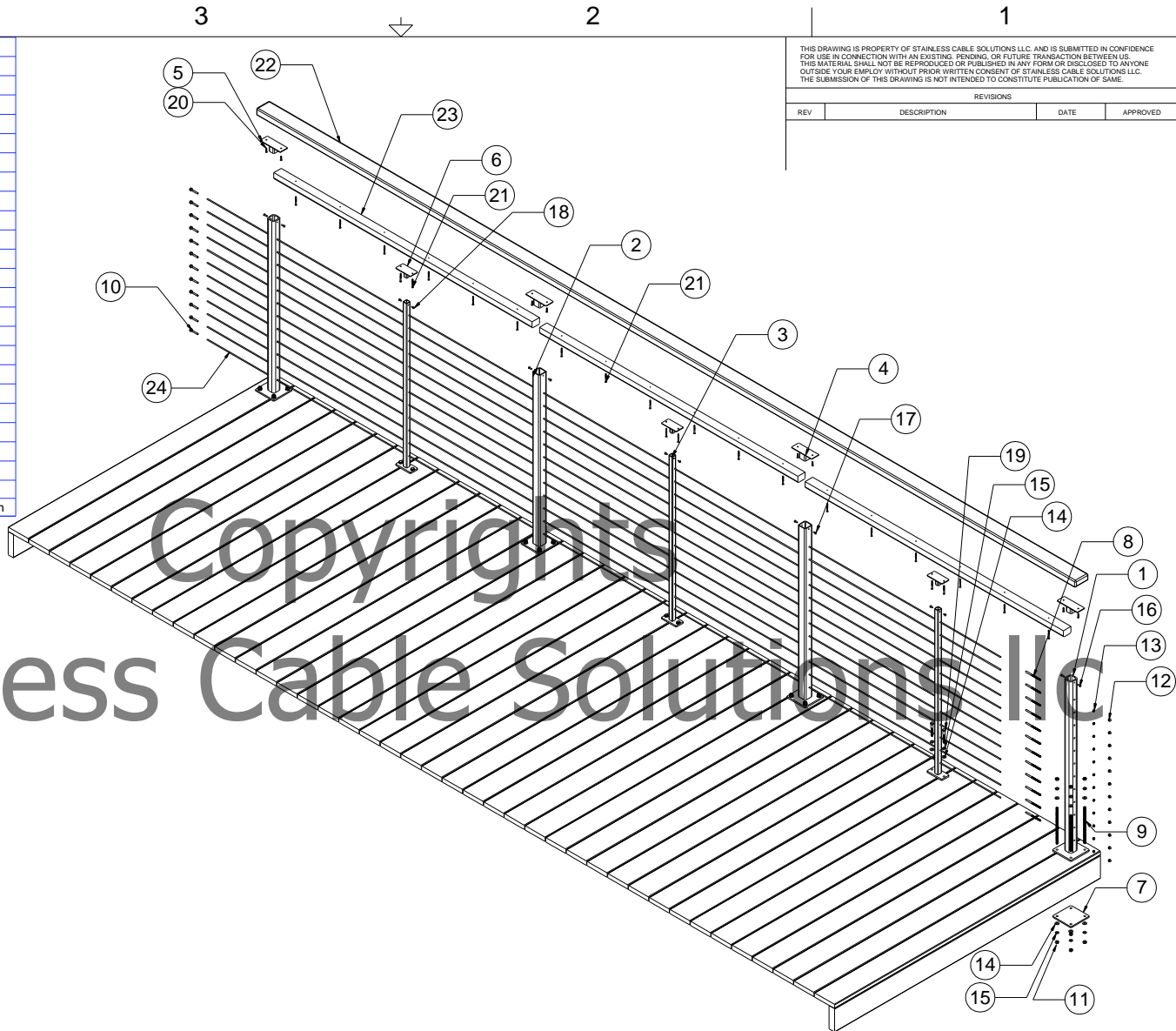


| Item | Qty | P/N | Part Name |
|------|-----|-----------|---|
| 1 | 2 | UTP42 | 42" Universal Termination Post |
| 2 | 2 | UIP42 | 42" Universal Intermediate Post |
| 3 | 3 | UP42 | 42" Universal Picket |
| 4 | 2 | IP180 | Intermediate Post Top |
| 5 | 2 | TP180-42 | Termination Post Top - 42 |
| 6 | 3 | UP180 | Picket Post Top |
| 7 | 4 | SBP25-5 | Stainless Backing Plate |
| 8 | 12 | TTMS249 | Threaded Tensioning Terminal |
| 9 | 16 | TR375 | Threaded Rod, SS, 3/8 |
| 10 | 12 | BT249 | Button Terminal |
| 11 | 32 | SSN375 | Hex Nut, SS, 3/8 |
| 12 | 12 | ACN25 | Acorn Nut, SS, 1/4 |
| 13 | 12 | SSN25-R | Hex Nut, SS, 1/4 |
| 14 | 38 | SSW375 | Flat Washer, SS, 3/8 |
| 15 | 38 | LBLW38 | Lock Washer, SS, 3/8 |
| 16 | 4 | PR13-608 | Rivit, 3/16", 3/8 - 1/2" Grip |
| 17 | 4 | PR13-606 | Rivit, 3/16", 1/4 - 3/8" Grip |
| 18 | 6 | PR13-604 | Rivit, 3/16", 1/8 - 1/4" Grip |
| 19 | 6 | LB38-3 | Lag Bolt, SS, 3/8 x 3 |
| 20 | 8 | TTRS10 | Transformer Top Rail Screw |
| 21 | 24 | BRS2 | Block Rail Screw |
| 22 | 1 | TOP RAIL | 2 x 4, Mahogany, IPE |
| 23 | 3 | BLOCKING | 2 x 2, Mahogany, IPE |
| 24 | 12 | WIRE ROPE | 1/8" D, 1x19, SS with 275 lb Pretension |



THIS DRAWING IS PROPERTY OF STAINLESS CABLE SOLUTIONS LLC. AND IS SUBMITTED IN CONFIDENCE FOR USE IN CONNECTION WITH AN EXISTING, PENDING, OR FUTURE TRANSACTION BETWEEN US. THIS MATERIAL SHALL NOT BE REPRODUCED OR PUBLISHED IN ANY FORM OR DISCLOSED TO ANYONE OUTSIDE YOUR EMPLOY WITHOUT PRIOR WRITTEN CONSENT OF STAINLESS CABLE SOLUTIONS LLC. THE SUBMISSION OF THIS DRAWING IS NOT INTENDED TO CONSTITUTE PUBLICATION OF SAME.

| REVISIONS | | | |
|-----------|-------------|------|----------|
| REV | DESCRIPTION | DATE | APPROVED |
| | | | |

Copyrights
Stainless Cable Solutions LLC

| | | | |
|---|-------------------|-------------------|---|
| DIMENSIONS IN METRIC (MM) UNLESS OTHERWISE SPECIFIED X ±1.0 X ±0.5 XX ±10 XXX ±.05 X ±.5 | DRAWN S. PENCE | DATE 2/26/2012 | SCS STAINLESS CABLE SOLUTIONS LLC. 2160 LONG ST. WEST, OR 97068 PHONE: 503-830-2123 FAX: 1-866-496-9673 |
| | CHECKED | QA | |
| MATERIAL: | MFG | SCALE 1:1 | TITLE: SRS 42" Railing Assembly |
| FINISH: | APPROVED | SIZE C | PART NO. A |
| NOTE: | | SCALE 1:1 | SHEET 1 OF 1 |

2. DEBURR AND BREAK ALL SHARP EDGES
1. PACKAGING REQUIRED WHICH WILL AFFORD ADEQUATE PROTECTION AGAINST PHYSICAL DAMAGE DURING HANDLING, SHIPMENT, & STORAGE